

# HIP

Quinti®

HIP is a new Lounge armchair suitable for office and contract areas which high and wrap-around form and a comfortable armrest with a steel support painted in black or white, make the HIP armchair ideal to create a privacy corner in waiting areas.

1



2



3

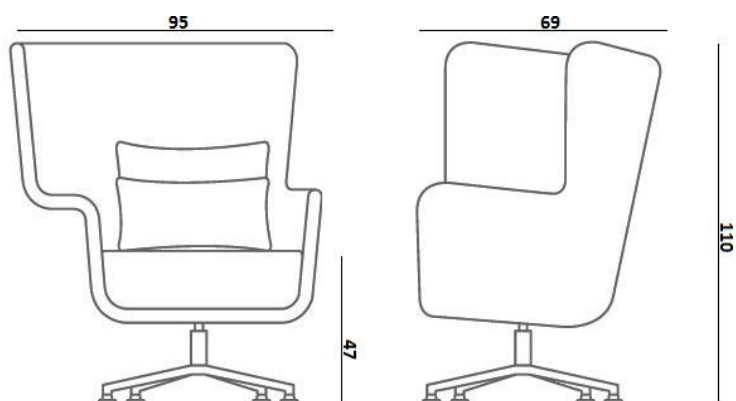


1 . Swivel base armchair  
2 . 4 legs base armchair  
3 . Ottoman

L 95/60 P 69/57 H 110/47  
L 95/60 P 69/57 H 103/45  
L 52 P 40 H 40



## DIMENSIONS



## BASE

Two types of bases are available:

1. 4 legs metal tubular structure diam 16 mm painted in black or white
2. Swivel base in chromed metal

## **STRUCTURE AND FOAM**

---

It is made up of an inner metal skeleton and polyurethanic cold injected foam rubber.  
The comfortable seat cushion is in 70 density rubber, 15 cm thick.  
The lumbar cushion increase its comfort.

It is also available with fireproof rubber Certified 1IM.

## **ACCESSORIES**

---

### OTTOMAN

The Hip ottoman is a versatile multifunctional accessory that can be used as ottoman, table, or both using the extractable element.

Made up of three elements:

- “U” structure in wood and covered, on feet or castors
- Extractable inner part made with a polystyrene and foamed with rubber
- Metal plate painted in white or black.

## UPHOLSTERY

---

**BIO-EXPO  
CATEGORY 2**

300 gr/mt2  
100% Propitex FR bacteriostatic  
Class 1 UNI EN ISO 354:2003  
100.000 +/- 10% cycles Martindale

**EXTREME  
CATEGORY 2**

350 gr/mtl  
100% Xtreme FR  
Class 1 , EN 1021-1/2  
100.000 +/- 10% cycles Martindale

**LASER  
CATEGORY 2**

560 gr/mtl  
100% Polyester FR  
Class 1  
80.000 +/- 10% cycles Martindale

**ECOPELLE  
CATEGORY 2**

630 gr/mt2  
83% PVC, 17% Synthetic  
ISO 379-DIN75200-CSERF4/83 10%  
cycles Martindale

**ERA  
CATEGORY 3**

448 gr/mtl  
100% Trevira CS  
Class 1 UNI EN ISO 354:2003  
100.000 +/- 10% cycles Martindale

**LASER PLUS  
CATEGORY 3**

630 gr/mtl  
100% Polyester FR Trevira  
Classe1 , 4.000 +/- cycles Martindale

**ECOPELLE SOUL  
CATEGORY 3**

760 gr/mt2  
Superficies 100% POLIURETANO,  
Base Polyester 85%,17% Cotton  
EN1021-1/BS5852 PART 1  
>100.000 EN ISO 5470-2

**MELANGE  
CATEGORY 3**

390 g/lin.m  
100% Trevira CS  
Class 1  
80.000 +/- 10% cycles Martindale

**JET  
CATEGORY 3**

365 +/- 5% g/lin.m  
100% Polyester FR  
Class 1  
80.000 +/- 10% cycles Martindale

**ECOPELLE SISTEMA PRO  
CATEGORY 3**

710 gr/mt2  
Surface 93% PVC  
Base Polyester 28%  
CLASSE1  
100.000 CICLI

**ECOPELLE VITAX  
CATEGORY 3**

850 gr/mt2  
Surface 98% PVC 2% PU  
Base cotton 100%  
CLASSE 1  
100.000 CICLI

**ONE RECICLE  
CATEGORY 3**

525 gr/mt2  
100% recycled polyester  
Base cotton 100%  
CLASSE 1IM  
100.000 CICLI

**LANA  
CATEGORY 5**

500 gr/mt2  
75% Lana, 25% polyamide  
Class 1  
100.000 cycles Martindale

**PELLE  
CATEGORY 5/6**

620 g/lin.m  
100% Cow leather  
Class 1, EN 1021-1/2

**PIED POULE  
CATEGORY 6**

550 g/lin.m  
66% cotton, 34% Polyester  
35.000 % cycles Martindale

**EUROPOST 2  
CATEGORY 6**

710 g/lin.m  
63% PU, 16% CO, 21% PL  
Ini1975 CLASS1emme,UNI9175/FA  
50.000% cycles Martindale

**PREMIUM /ELEGANCE  
CATEGORY 7**

100% First quality cow leather  
Thickness 1,2/1,4 mm  
EN1021-1/2

**STEELCUT TRIO  
CATEGORY 7**

770 g/lin.m  
90% New wool worsted, 10% Nylon  
Class 1, EN 1021-1/2  
100.000 % cycles Martindale

**REMIX  
CATEGORY 7**

415 g/lin.m  
90% New wool worsted, 10% Nylon  
Class 1, EN 1021-1/2  
100.000 % cycles Martindale

**VELLUTO DECONTRACTE'  
CATEGORY 7**

590 g/lin.m  
19% CO, 61% PC,10% PL, 10%VI  
40.000 % cycles Martindale

**MERIT  
CATEGORY 7**

500g/lin.m  
76% Polyester Recycled  
24% Polyester  
EN 1021-1/2  
85.000 % cycles Martindale

**VELLUTO  
CATEGORY 8**

600 g/lin.m  
100.000 % PL Flame retardant

**PELLE SOFT  
CATEGORY 8**

100% Cow leather Thickness,8-2 mm  
Aniline treatment – First quality  
EN1021-1/2

## USAGE AND MAINTENANCE

---

In order to have an optimal maintenance of the products and to preserve the characteristics of the materials by which they are made, it is recommended the following course of action.

### **FABRICS**

Cleaning: check the dedicated selection written on the color Swatch card.

Usage: it is recommended to pay careful attention to the fabrics as they can be cut or ripped easily.

### **WOODS**

Cleaning: clean using a soft cloth, soaked in tepid water. Dry always after the cleaning. Remove immediately any liquid substances or other residue in order to prevent the absorption.

Usage: wooden surfaces, being a natural material, might be subjected to color alterations with sun exposure and use over time. It is reminded that wooden surfaces cannot endure direct heat sources.

### **METALS**

Cleaning: both steel and aluminum surfaces, and the painted ones, have to be cleaned using a soft cloth soaked in tepid water. For the most persistent stains it is possible to dilute mild soap with water moderately. Dry always after the cleaning, using a soft cloth of deer-hide. Do not use cleaning products for steel, chlorine, bleach or other strong products. It is not recommended to use abrasive, scourers, which can scratch the metal surfaces.

Usage: pay attention to the food stains as coffee, coke, fruit juices that can make indelible marks on the surfaces.

### **WARRANTY**

QUINTI guarantees the products will maintain their properties for 6 years from delivery, except normal usury and provided that they will be used according to the guidelines given. QUINTI will replace, free of charge, any product found non-compliant with this warranty, without incurring any other liability of sort. Components, external accessories or materials supplied by the buyer and applied to the products in order to customize them will not be supported by the guarantee. For an optimal maintenance of the products and to keep unchanged the characteristics of the materials with which they are made, some simple attentions are necessary.