

**IDdesign**

|||| LUCTRA

**vivax**

PERFECT  
DAY  
LIGHT

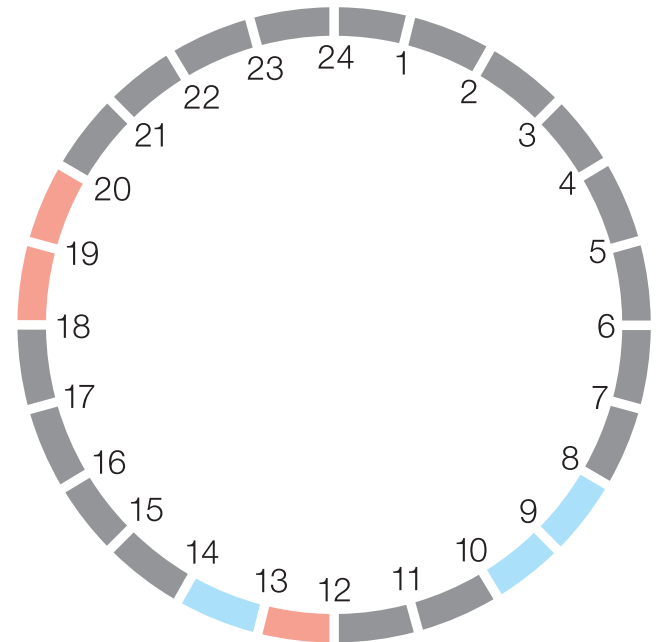
*The biological effectiveness of LUCTRA® lamps on the human body's circadian rhythm was demonstrated in a clinical study under the guidance of sleep researcher Dr. Dieter Kunz.*

# HUMAN CENTRIC LIGHTING

Human Centric Lighting focuses on people's individual needs. Since the discovery of receptors containing melatonin, which is a hormone that makes us feel tired and encourages sleep at night, there is increased attention on the influence light has on health in addition to its role in visual tasks.

Each person has an individual biological rhythm. The better this inner rhythm is synchronised with our daily routines, the better we feel and the more efficiently we are able to work. Daylight is the signal generator, which synchronises our inner rhythm with the natural course of the day.

LUCTRA® is a professional, biologically effective LED lighting range that closely replicates natural daylight to support well-being and performance in the workplace in a targeted and effective way.



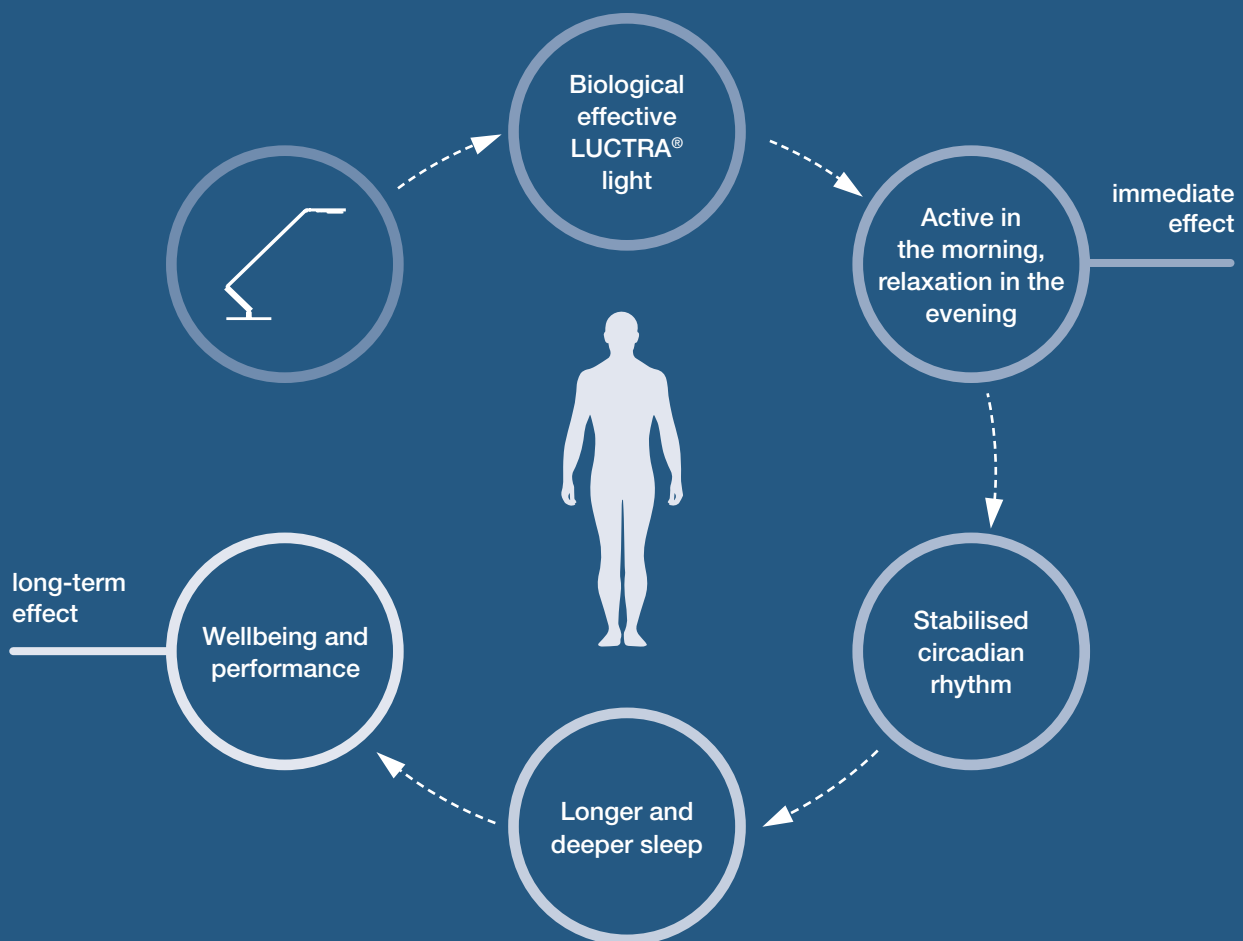
The right lighting helps you stay healthy and the ideal light is natural sunlight. Over 4 million years of evolution, the cycle of day and night has shaped us. This continuously recurring rhythm has genetically anchored itself in our biology as a system of internal clocks. This system regulates the biological processes in our body and harmonises them with each other and is called the “circadian” daily rhythm. Disturbances to the circadian rhythm can have serious consequences to well-being and performance in the short term and health in the long term. Insomnia, irritability and lack of concentration are some of the immediate symptoms.

- Activating light with 6,500 Kelvin  
Bluish light temperature
- Soothing light with 2,700 Kelvin  
Reddish light temperature
- Adjust lighting levels to the  
personal optic needs

Light is the key factor that stimulates and stabilises this inner rhythm. Cold-white, blue-enriched light wakes us in the morning and warm-white, red-enriched light in the evening is a signal to relax. In addition to these short-term effects, light also stabilises the circadian rhythm in the long term. This leads to greater well-being, which in turn leads to improved performance.

The LUCTRA® LED lamp covers virtually the entire colour spectrum of sunlight so therefore it can have a stabilising effect on our biological rhythm.

# BIOLOGICALLY EFFECTIVE LIGHT STABILISES THE INTERNAL CLOCK



*LUCTRA® can respond to the individual lighting needs of every user, so it is perfect for workplace lighting.*

# PERFECT OFFICE LIGHTING

The importance of good workplace lighting for the well-being and productivity of employees has been proven in studies. Providing the right lighting for employees to complete tasks has always been important and now modern LED lighting is providing new benefits. With its proven biological effectiveness, LUCTRA® redefines the quality of lighting in the workplace – it is a visible, long-term investment in employees and the quality of their work.

# LATEST LED TECHNOLOGY

High luminous efficiency with low energy consumption, a colour spectrum similar to daylight, and a long lifetime are some of the outstanding features of LUCTRA® LED technology. LUCTRA® lamps with their high intensity and even light distribution bring a quality of light to the workplace which is virtually equal to daylight.

LUCTRA® is equipped with four high-performance CREE LEDs that have a very low power consumption and generates illuminance of up to 1000 lux. Light intensity of 500 to 750 lux is recommended for workplaces and LUCTRA® exceeds this by a considerable margin.

Two LEDs generate cold white (bluish) light while the other two create a warm white (reddish) light. Through their joint operation, a wide Kelvin range of 2,700K to 6,500K is reached, which covers virtually the entire bandwidth of the natural spectrum of light. To fully exploit the potential of the high performance LEDs, the lamp heads have been specially designed with open cooling fins to effectively manage the heat produced by the LEDs. By dissipating the heat very efficiently – the operating temperature of the heads hardly rises above 40°C during continued use – their very design guarantees an extremely long service life of well over 50,000 hours for the LEDs.



The wide colour spectrum of LUCTRA® lamps allows users to set the desired light colour precisely and provide a uniform illumination in their work space.



≈ 2.700 Kelvin



≈ 3.600 Kelvin



≈ 6.500 Kelvin

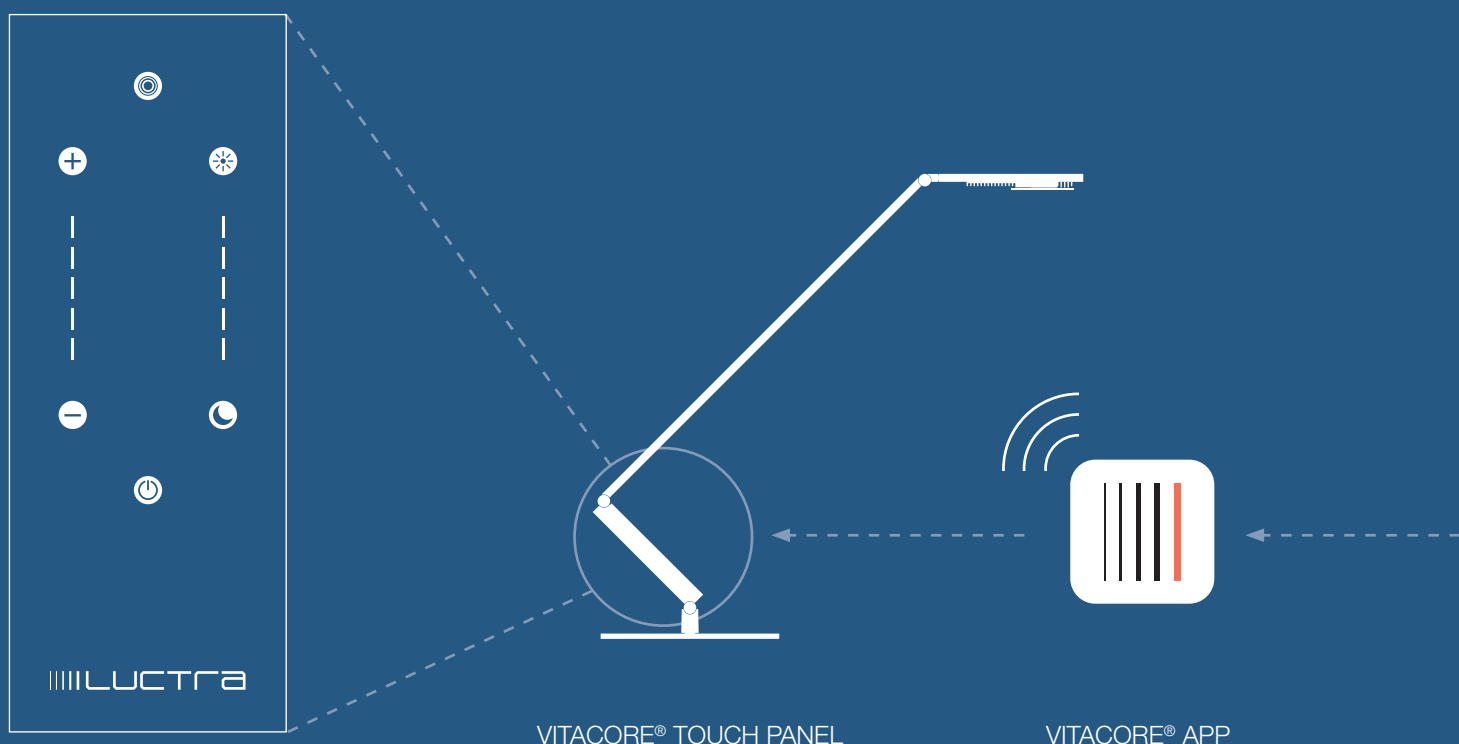
# VITACORE® TECHNOLOGY

The heart of the LUCTRA® lamp range is the intelligent VITACORE® electronic system.

The sleek and unobtrusive user interface only becomes visible when it is touched, offering the user intuitive access to the LUCTRA® functions. High-quality components control the lamp precisely and reliably. The brightness and colour of the light can be adjusted with a high degree of accuracy simply by placing a finger on the touch panel.

A boost function is available for short-term maximum activation. By touching the boost symbol, the maximum light intensity of the cold white LEDs is activated. This function is automatically terminated after 30 minutes.

VITACORE® is patent pending.





# VITACORE<sup>®</sup> APP

The VITACORE<sup>®</sup> app turns LUCTRA<sup>®</sup> into a personal and flexible lighting tool.

The app communicates via Bluetooth with the VITACORE<sup>®</sup> electronics. Depending on individual lighting settings, the app automatically varies the colour of the light thereby simulating the natural course of the day. The settings can be changed at any time and adjusted to individual tastes. The light setting is saved on the app and can be transferred to any LUCTRA<sup>®</sup> lamp. This makes LUCTRA<sup>®</sup> the ideal lighting range for modern office concepts with flexible workplaces.

Based on the answers to five simple questions, the VITACORE<sup>®</sup> app generates a personal 24-hour lighting sequence for the user:

1. What time does your work day start?
2. What time does your work day end?
3. When is your lunch break?
4. If you could choose your optimum working hours, which five consecutive hours would you choose?
5. What time of day do you feel most productive?



iOS



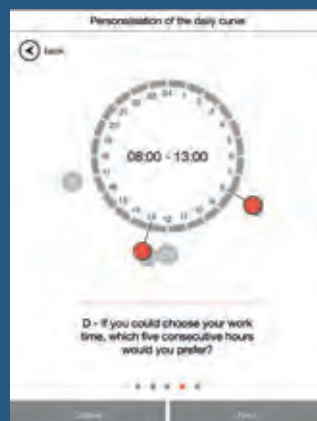
Android

The app is available as a free download for all current iOS and Android smartphones and tablet PCs.

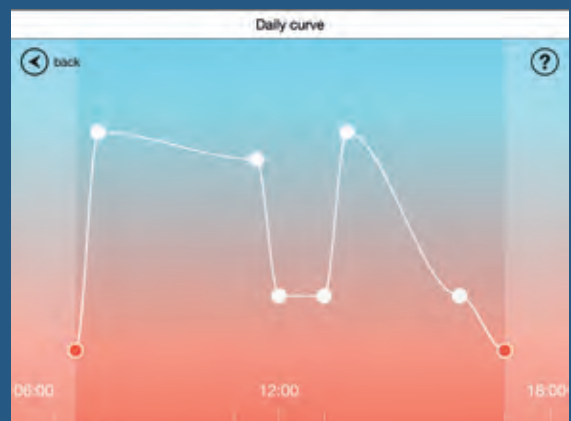
Connection between app and lamp via Bluetooth



Activation of personal settings



Adjust light settings for the duration of the day



The performance of the VITACORE<sup>®</sup> technology and applications differ depending on the model.

# LUCTRA<sup>®</sup> PRODUCTS

LUCTRA<sup>®</sup> lamps meet all the requirements placed on modern LED lighting: innovative technology meets sophisticated design and allows for adaptation to individual needs.

The range consists of table and floor lamps which are available in contemporary RADIAL or LINEAR lamp head designs. In addition to the table and floor lamps, the LUCTRA<sup>®</sup> range includes a battery-operated portable lamp called FLEX, also available in the geometric LINEAR style.

# TABLE LAMPS

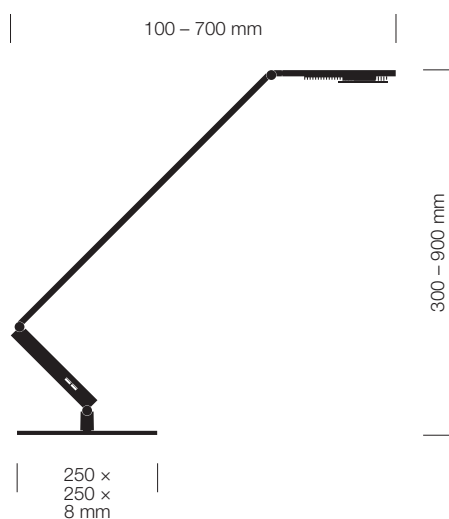
The LUCTRA® table lamps are designed for use in offices, whether that is at home or at a designated place of work. Self-locking joints allow the lamp to be moved to the desired position smoothly and easily and can withstand up to 50,000 hinge movements without readjustment. Various fastening options guarantee a secure placement on the desk and also help to reduce the space required if necessary.

---

# LINEAR TABLE PRO

High quality craftsmanship and fine attention to detail: LINEAR TABLE PRO is the premium model in the range. The expertly designed lamp heads with their open cooling fins effectively dissipate the heat from the LEDs. Specially developed self-locking joints fix the light in any desired position.

As well as offering biologically effective light, LUCTRA® provides a minimalistic geometric LINEAR design with its aluminium finish and height of 75 centimetres.

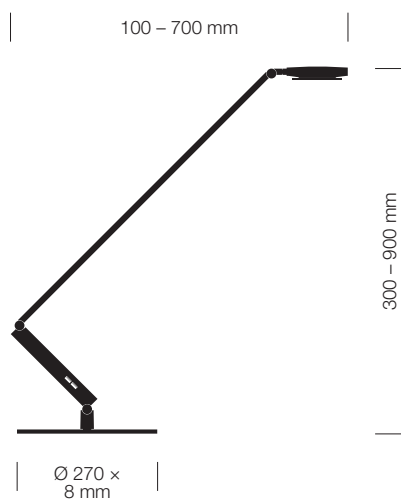


Control	via VITACORE® electronics or app
Setting of light intensity	continuously up to 1,000 lux
Setting of light colour	continuously between 2,700 and 6,500 Kelvin
Boost function	for maximum cold-white lighting at 1,000 lux
USB charging ports	× 2
Touch panel	made of glass
Article number with lamp base	9215
Article number with clamp	9217
Article number with pin	9219
Colours	
	01 black
	02 white
	23 aluminium



# RADIAL TABLE PRO

A combination of light and stylish design is integral to the LUCTRA® range. RADIAL TABLE PRO is the alternative round-head design to the geometric design of the LINEAR models. Premium craftsmanship, state-of-the-art technology and the beneficial effect of light makes this model a must-have for all desks.



Control	via VITACORE® electronics or app
Setting of light intensity	continuously up to 1,000 lux
Setting of light colour	continuously between 2,700 and 6,500 Kelvin
Boost function	for maximum cold-white lighting at 1,000 lux
USB charging ports	× 2
Touch panel	made of glass
Article number with lamp base	9216
Article number with clamp	9218
Article number with pin	9220
Colours	
	01 black
	02 white
	23 aluminium



# TABLE PRO FEATURES



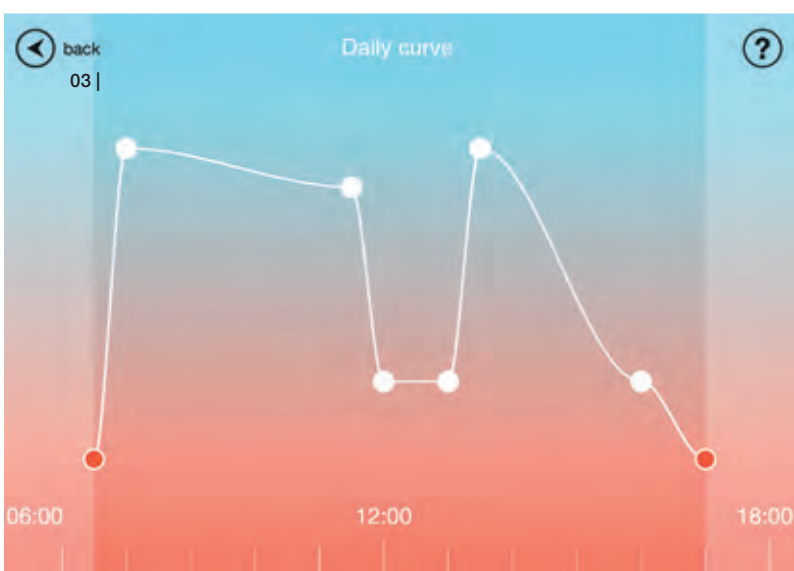
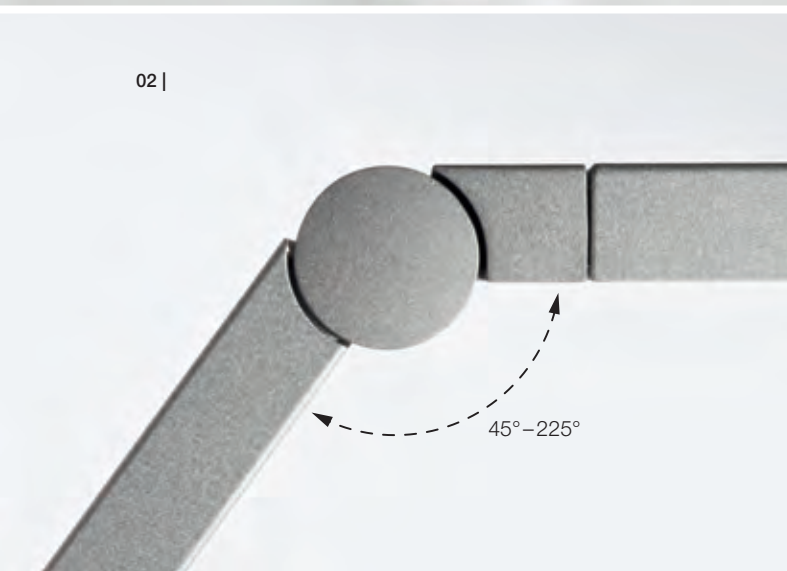
01 | Colour temperature adjustable from 2,700 to 6,500 Kelvin, boost function for short-term maximum activation, USB charging feature for smartphones and tablets

02 | Self-locking joints

03 | Adjustment of colour temperature to personal daily rhythm with VITACORE® app

04 | Flexibility through various fastening options (tabletop base, clamp to the table and wall mounting, table bolt)

05 | Two warm-white and two cold-white CREE high-power LEDs, high light illuminance of 1,000 lux at a height of 75 cm above the table surface, narrow tolerance binnings for high colour fidelity, high colour rendition with CRI  $\geq$  85. Perfect temperature management for a long service life of well over 50,000 hours for LEDs







04 |



05 |

# LINEAR TABLE

With its VITACORE® touch panel, premium LED technology and ease of use, the entry level model stands at a compact 60 centimetre height and offers the same lighting benefits which make LUCTRA® the ideal lamp for the workplace.

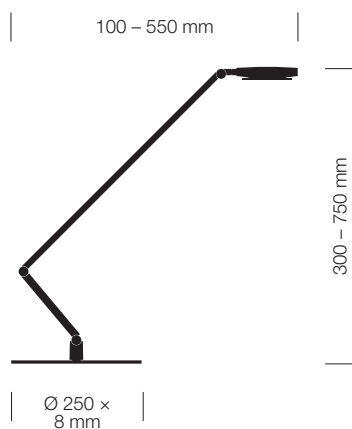


Control	via VITACORE® electronics
Setting of light intensity	in five steps up to 1,000 lux
Setting of light colour	in three steps 2,700 / 3,600 / 6,500 Kelvin
Touch panel	acrylic glass
Article number with lamp base	9201
Colours	
	01 black
	02 white
	23 aluminium



# RADIAL TABLE

The entry-level model of the RADIAL product line has been designed to meet the requirements of the modern office. With only minor differences in equipment, it offers the same features as the PRO model, which is ten centimetres higher and contributes to making work easier on a long-term basis.



Control	via VITACORE® electronics
Setting of light intensity	in five steps up to 1,000 lux
Setting of light colour	in three steps 2,700 / 3,600 / 6,500 Kelvin
Touch panel	acrylic glass
Article number with lamp base	9202
Colours	
	01 black
	02 white
	23 aluminium



# TABLE FEATURES

01 |

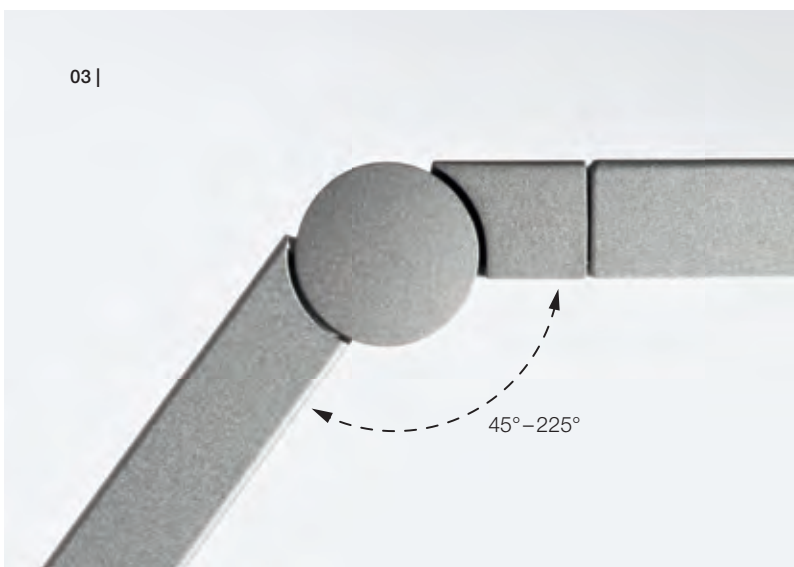


- 01 | Perfect temperature management for a long service life of well over 50,000 hours for LEDs
- 02 | High light illuminance of 1,000 lux at a height of 60 cm above the table surface
- 03 | Self-locking joints
- 04 | Colour temperature adjustable for three levels (2,700 | 3,600 | 6,500 Kelvin)
- 05 | Two warm-white and two cold-white CREE high-power LEDs, narrow tolerance binnings for high colour fidelity, high colour rendition with CRI  $\geq$  85

02 |



03 |





04 |



05 |

# FLOOR LAMPS

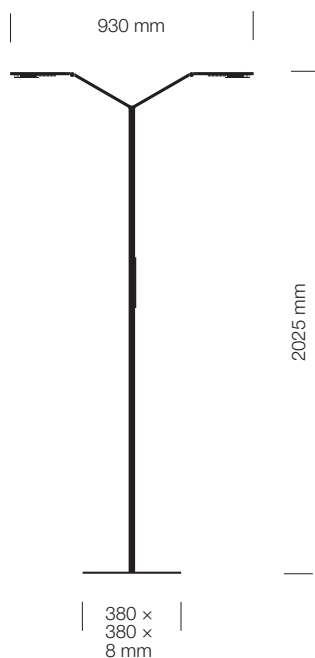
For those who like a minimalistic approach to their work space, LUCTRA® floor lamps can offer the ideal solution. Offering the same premium LED technology and individual light setting functions, LUCTRA® floor lamps provide direct and indirect lighting to ensure all users get the right biologically effective light.

---



# LINEAR FLOOR TWIN

The LINEAR FLOOR TWIN makes it possible to have optimal direct or indirect light for up to two workplaces. The individually adjustable lamp heads ensure maximum flexibility, since their light intensity and colour temperature can be adjusted individually to the needs of each user.



Control	via VITACORE® electronics or app
Setting of light intensity	continuously up to 1,000 lux
Setting of light colour	continuously between 2,700 and 6,500 Kelvin
Switch Function	For separate operation of lamp heads
Touch panel	made of glass
Article number with lamp base	9237

#### Colours

01 black

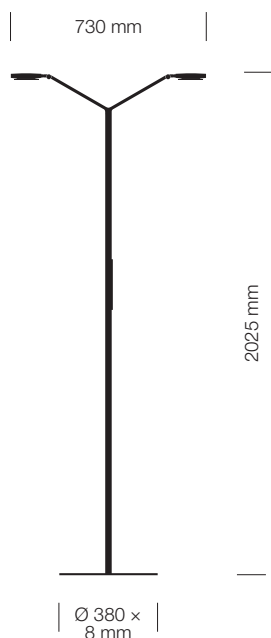
02 white

23 aluminium



# RADIAL FLOOR TWIN

Great things can be achieved with collaboration and trends are pointing to an increase in this kind of workspace. RADIAL FLOOR TWIN gives exactly the right light for effective teamwork and illuminates two workplaces simultaneously. The separately adjustable and individually programmable lamp heads ensure that everyone gets the light they need at any time – biologically effective and at an ideal angle.



Control	via VITACORE® electronics or app
Setting of light intensity	continuously up to 1,000 lux
Setting of light colour	continuously between 2,700 and 6,500 Kelvin
Switch Function	For separate operation of lamp heads
Touch panel	made of glass
Article number with lamp base	9238
Colours	
	01 black
	02 white
	23 aluminium



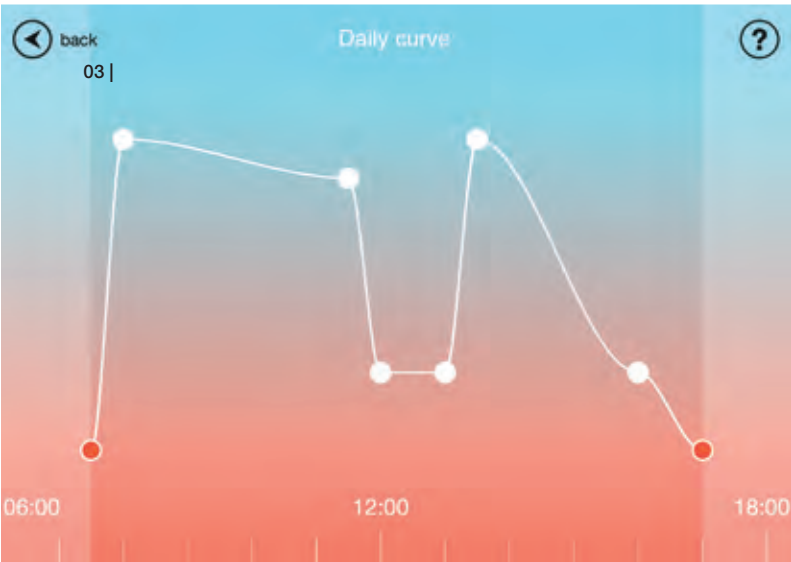
# FLOOR TWIN FEATURES

01 |



- 01 | Perfect temperature management for a long service life of well over 50,000 hours for LEDs
- 02 | Colour temperature adjustable from 2,700 to 6,500 Kelvin
- 03 | Adjustment of colour temperature to personal daily rhythm with VITACORE® app
- 04 | Rotatable heads for direct and indirect lighting, can be adjusted and set for individuals
- 05 | 4 warm-white and cold-white CREE high-power LEDs, high light illuminance of 1,000 lux at a height of 110 cm above the table surface, narrow tolerance binnings for high colour fidelity, high colour rendition with CRI  $\geq$  85

02 |





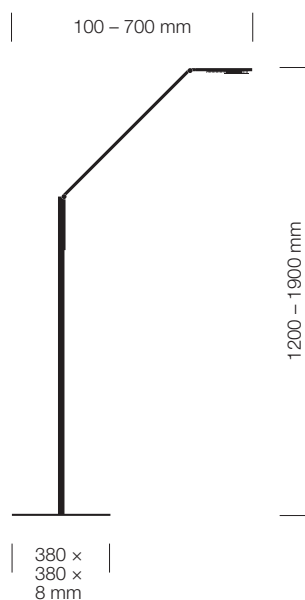
04 |



05 |

# LINEAR FLOOR

For those who like a minimalistic approach to their work space, LUCTRA® floor lamps can offer the ideal solution. The LINEAR FLOOR lamp illuminates every workplace from a maximum height of 1.90 metres with the same, perfectly even light as all other LUCTRA® models. Thanks to high quality LEDs and the VITACORE® electronic system, the biological effectiveness of the light is combined with an easy operation.



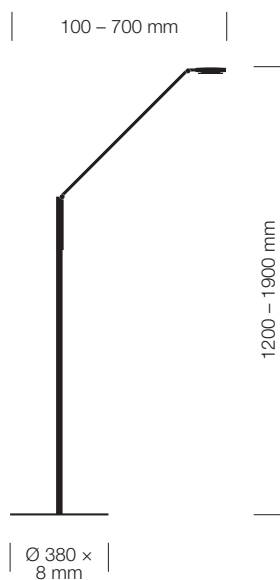
Control	via VITACORE® electronics or app
Setting of light intensity	continuously up to 1,000 lux
Setting of light colour	continuously between 2,700 and 6,500 Kelvin
Boost function	for maximum cold-white lighting at 1,000 lux
USB charging ports	× 2
Touch panel	made of glass
Article number with lamp base	9235
Colours	
	01 black
	02 white
	23 aluminium





# RADIAL FLOOR

Unobtrusive design, intelligent technology and premium-quality materials at a maximum height of 1.90 metres: RADIAL FLOOR is an attractive addition to any workplace and anyone using this lamp next to their workspace will feel the benefits of its lighting quality. The VITACORE® touch panel becomes visible only when needed and personalised lighting sequences are easy to programme, which makes the unobtrusive design of RADIAL FLOOR a great addition to any office.



Control	via VITACORE® electronics or app
Setting of light intensity	continuously up to 1,000 lux
Setting of light colour	continuously between 2,700 and 6,500 Kelvin
Boost function	for maximum cold-white lighting at 1,000 lux
USB charging ports	× 2
Touch panel	made of glass
Article number with lamp base	9236
Colours	
	01 black
	02 white
	23 aluminium



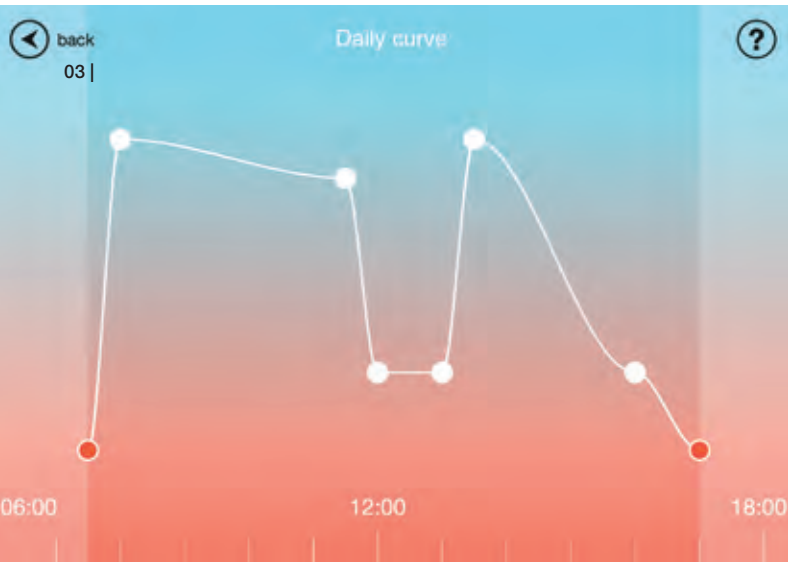
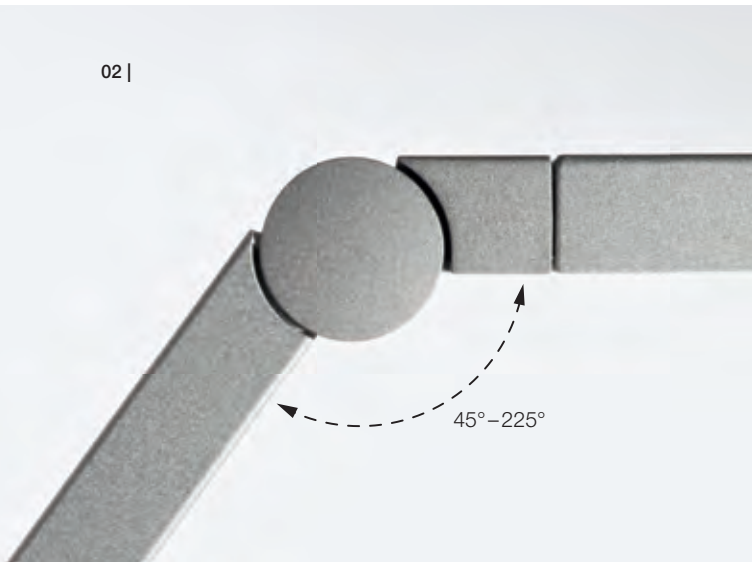
# FLOOR FEATURES

01 |



- 01 | Colour temperature adjustable from 2,700 to 6,500 Kelvin, boost function for short-term maximum activation, USB charging feature for smartphones and tablets
- 02 | Self-locking joints
- 03 | Adjustment of colour temperature to personal daily rhythm with VITACORE® app
- 04 | Perfect temperature management for a long service life of well over 50,000 hours for LEDs
- 05 | Two warm-white and two cold-white CREE high-power LEDs, high light illuminance of 1,000 lux at a height of 110 cm above the table surface, narrow tolerance binnings for high colour fidelity, high colour rendition with CRI  $\geq 85$

02 |

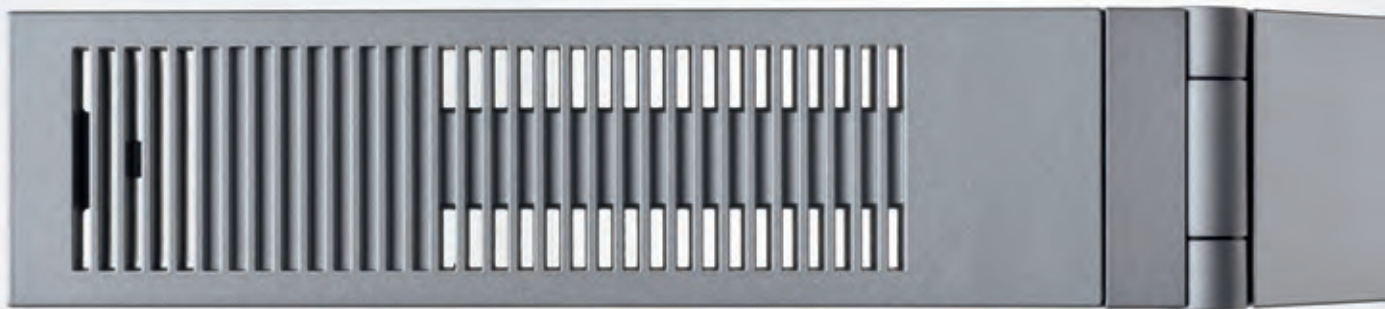




04 |



05 |

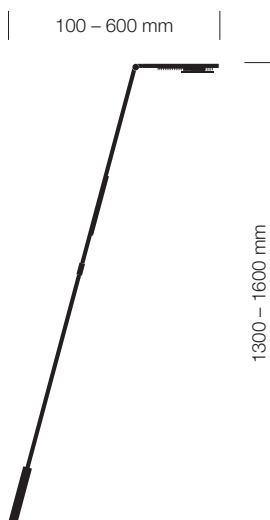


# PORTABLE LAMPS

LUCTRA® offers a portable lamp with a multitude of uses whether situated in lounges, meeting points or simply in the home. With a long-lasting battery, the lamp provides complete freedom to work anywhere without compromising on the quality of light.

# FLEX

FLEX is the cordless lamp with biologically effective lighting for mobile working in the office or at home. Four high-performance CREE LEDs are powered for up to four hours by the integrated lithium-ion battery. The rubberised base and the height-adjustable protective sleeve guarantee stability and security in all positions. FLEX gives you complete freedom to work or relax anywhere without compromising on the quality of light.



Control	via VITACORE® electronics
Setting of light intensity	in five steps up to 1,000 lux
Setting of light colour	in three steps 2,700 / 3,600 / 6,500 Kelvin
Battery technology	with lithium-ion battery
Touch panel	acrylic glass
Article number with lamp base	9231
Colours	
	01 black
	02 white
	09 orange
	23 aluminium



# FLEX FEATURES



01 |

- 01 | Height-adjustable protective sleeve so it can be leaned securely and anti-slip base
- 02 | Two warm-white and two cold-white CREE high-power LEDs, high light illuminance of 1,000 lux at a height of 60 cm above the table surface, narrow tolerance binnings for high colour fidelity, high colour rendition with CRI  $\geq$  85
- 03 | Colour temperature adjustable for three levels (2,700/3,600/6,500 Kelvin)
- 04 | Rotatable head for direct or indirect lighting
- 05 | Lithium-ion battery for up to four hours operating time



02 |



03 |



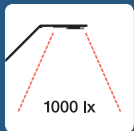
04 |



05 |

# LUCTRA® FEATURES

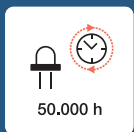
## THE LIGHT



High illuminance of 1,000 lux at 75 cm height above desk top.



4 high power LEDs warm white and cold white.



Perfect heat management for long lasting durability.



Enhanced wellbeing through Human Centric Lighting.



Even workplace illumination.



High Colour Rendering Index  $\geq 85$ .



Fine binning for maximum colour fidelity.

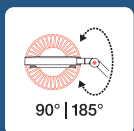


Premium LEDs from CREE.

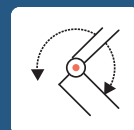
## THE MECHANICS



Premium lamp using high quality craftsmanship - Made in Germany.



Swivel heads for direct and indirect illumination.



Self locking hinges.



Perfect heat management for long lasting durability.

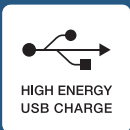
# THE ELECTRONICS



Colour temperature adjustable to personal circadian rhythm via VITACORE® app.

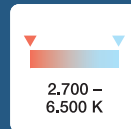


Adjustable colour temperature from 2,700 up to 6,500 K by intelligent VITACORE® electronic.



HIGH ENERGY  
USB CHARGE

USB charging for smartphones and tablets.



Adjustable colour temperature from 2,700 up to 6,500 K.



No flickering due to high frequency PDM dimming.

Forgalmazza az **IDdesign** és a **vivax**

## **IDdesign**

2045 Törökbálint, Tópark utca 1/a.  
(MaxCity Lakberendezési Áruház, II. em. 232. ID Design)

Tel. +36 23 444 707

Fax. +36 23 444 708 ,

Mobil. +36 30 460 3995

Email. maxcity@iddesign.hu

1138 Budapest, Váci út 144-150.  
(Váci Corner)

Tel. +36 1 611 7646

Fax. +36 1 611 7647

Mobil. +36 70 600 0701

Email. vacicorner@iddesign.hu

## **vivax**

4026 Debrecen, Hunyadi utca 8.  
(Class Design)

Tel. +36 52 524 540

Fax. +36 52 524 541

Mobil. +36 30 336 0699

Email. vivax@vivax.hu,

tervezes@vivax.hu

www.vivax.hu

3525 Miskolc, Széchenyi utca  
7. (Pátria Üzletház 1. emelet)

Tel. +36 46 413 920

Fax. +36 46 413 921

Mobil. +36 30 903 9255

Email. vivaxmiskolc@vivax.hu

