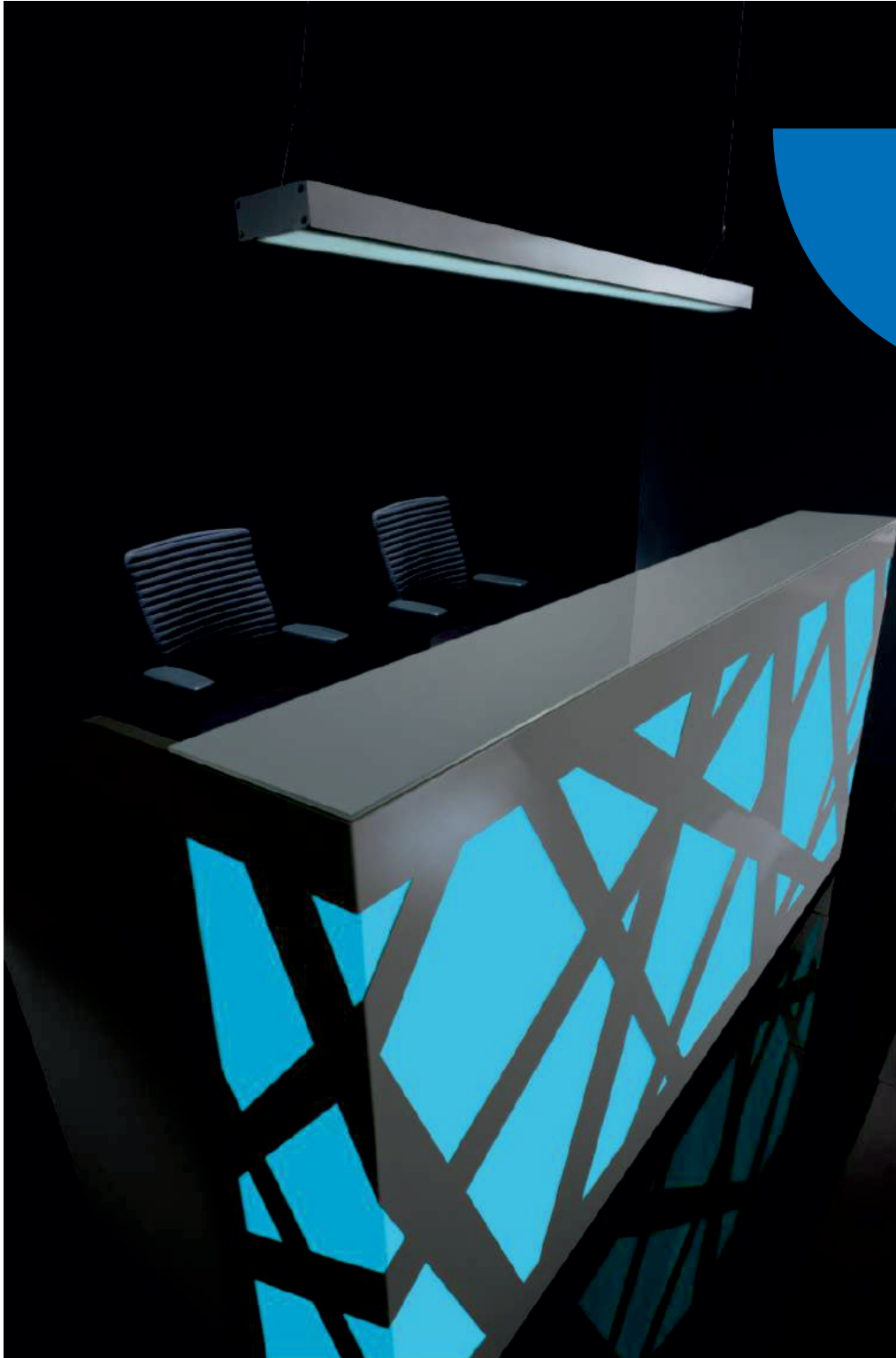


# Zig Zag technical specification



.mdd

**.mdd has a leading position among manufacturers of office furniture with many awards that prove quality and continuously increase demand for its products.**

The realities of today's market require constant quality improvement at all levels of modern organization. This applies in particular to customer service, marketing, quality of products and also to quality of processes within the company.

Partnership relations among employees and with business partners form a base of economic growth and success of the company.

Constant investments in innovative machinery park, optimization of management systems and an expansion of production halls allow to minimize the lead times for the product of the highest quality.

**More than twenty years of experience in office furniture industry come with reference from a long list of companies and institutions to show their appreciation for an efficient and comprehensive service.**

**.mdd is highly aware of the environment.**

Being located in the forest region with lake by its side, .mdd takes the nature seriously and invests constantly in a modern and energy-efficient solutions to preserve the local life. Company puts emphasis on waste segregation and recycling. .mdd has been awarded for the exceptional care and involvement in waste disposal. All materials used are environmentally friendly and enjoy a high 95 % rate of being recycled.



## General informations:

### Warranty:

.mdd products - **5 years.**

Electrical components and fabric - **2 years.**

### Certificate - MFC:



### Boards density:

12 mm - 690 - 750 kg/m<sup>3</sup>

18 mm - 650 - 690 kg/m<sup>3</sup>

28 mm - 610 - 630 kg/m<sup>3</sup>

36 mm - 610 - 630 kg/m<sup>3</sup>

### Assembly:

product delivered in separate elements

### Packing:

reception placed on a pallet, the whole

is covered in foam wrap and 5-layer

cardboard, package is fastened with

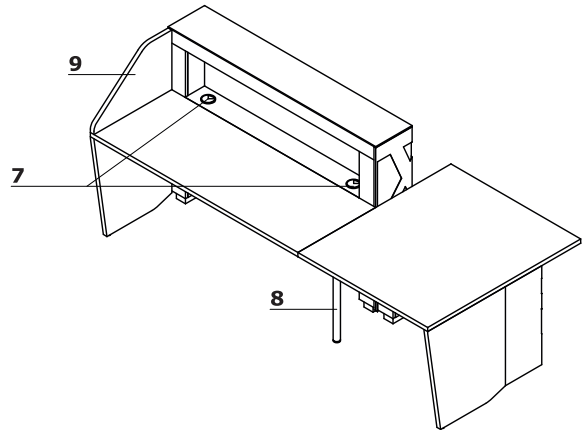
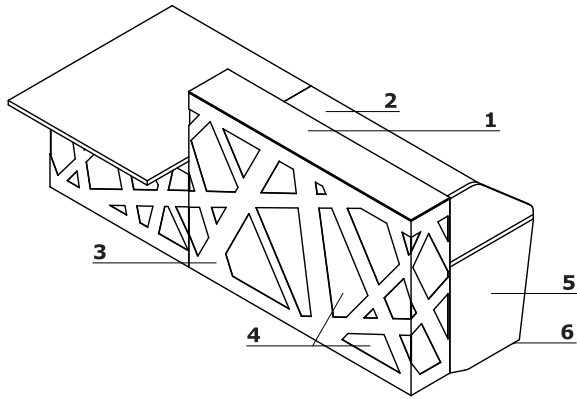
polypropylene tape;

cardboard, perforated plastic mesh wrap,

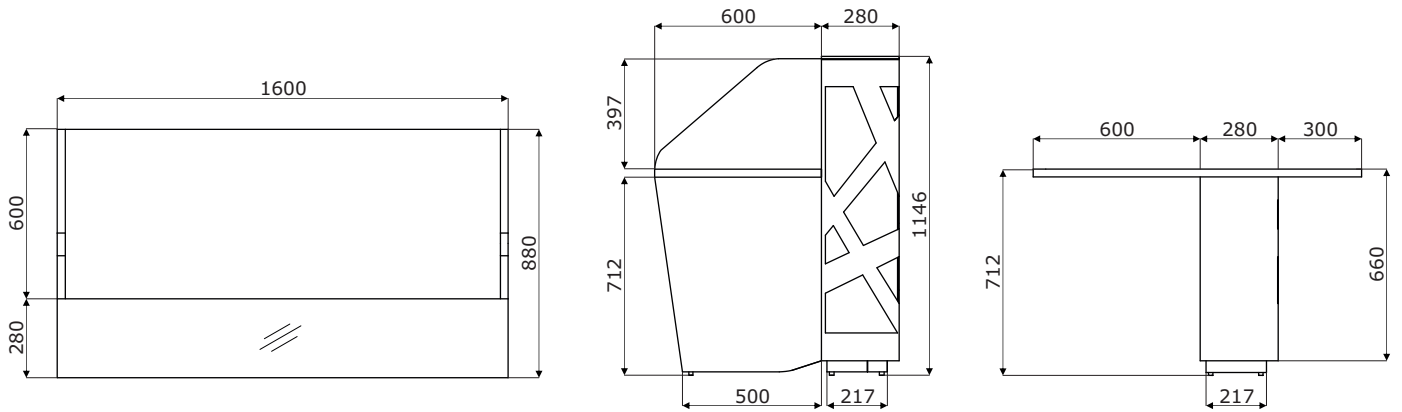
stretch foil

Technical specification

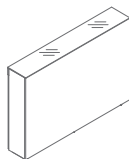
1. Top - tempered optiwhite glass, 8 mm - painted on bottom side
2. Worktop - MFC 28 mm, ABS edge
3. Front - powder coated steel and plexiglas
4. Light source - RGBW LED, remote control
5. Low side panel - MFC 28 mm, ABS edge
6. Leveling - 5 mm range
7. Cable grommets - Ø80 mm
8. Supporting leg NL41 - required for connecting the tops
9. Side panel - MFC 28 mm, ABS edge



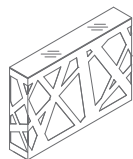
Dimensions



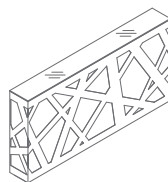
Composition elements \*



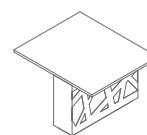
**LZG16M**  
1600 / 280 / 1146  
113.65 kg



**LZG16**  
1600 / 280 / 1146  
106.35 kg



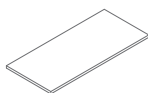
**LZG22**  
2200 / 280 / 1146  
127.9 kg



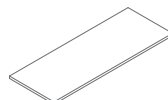
**LZG10**  
1000 / 1180 / 740  
53.55 kg



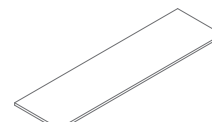
**LZB16M**  
720 / 600 / 28  
10.2 kg



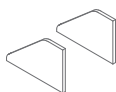
**LZB22M**  
1320 / 600 / 28  
18.1 kg



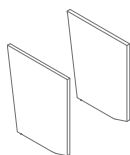
**LZB16**  
1600 / 600 / 28  
20.6 kg



**LZB22**  
2200 / 600 / 28  
28.4 kg



**LZK01**  
600 / 28 / 397  
7.5 kg



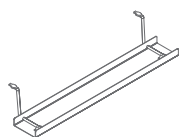
**LZN51**  
600 / 28 / 712  
15.5 kg



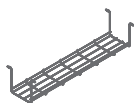
**NE41L**  
40 / 40 / 712  
1.5 kg



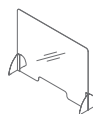
**NL41**  
585 / 142 / 712  
2 kg



**E64L**  
460 / 89 / 120  
0.5 kg



**S69L**  
580 / 162 / 123  
1 kg



**NPX1**  
1000 / 250 / 750  
8.8 kg

\* dimensions expressed in millimeters: width x depth x height

---

**Upper top**



117 Glass white  
RAL9003

---

**Body**



67 White pastel

---

**Front - metal**



M015 White  
semi-matt

---

**Front - plexiglass**



White

---

**Supporting leg**



M015 White  
semi-matt

---