

# Quando technical specification



.mdd

**MDD has a leading position among manufacturers of office furniture with many awards that prove quality and continuously increase demand for its products.**

The realities of today's market require constant quality improvement at all levels of modern organization. This applies in particular to customer service, marketing, quality of products and also to quality of processes within the company.

Partnership relations among employees and with business partners form a base of economic growth and success of the company.

Constant investments in innovative machinery park, optimization of management systems and an expansion of production halls allow to minimize the lead times for the product of the highest quality.

**More than twenty years of experience in office furniture industry come with reference from a long list of companies and institutions to show their appreciation for an efficient and comprehensive service.**

**MDD is highly aware of the environment.**

Being located in the forest region with lake by its side, MDD takes the nature seriously and invests constantly in a modern and energy-efficient solutions to preserve the local life. Company puts emphasis on waste segregation and recycling. MDD has been awarded for the exceptional care and involvement in waste disposal. All materials used are environmentally friendly and enjoy a high 95 % rate of being recycled.



## General informations:

### Warranty:

MDD products - **5 years**.

Electrical components and fabric - **2 years**.

### Certificate - MFC:



### Compliant with standards:

PN-EN 527-2:2017-02

PN-EN 14073-2:2006

### Boards density:

12 mm - 690 - 750 kg/m<sup>3</sup>

18 mm - 650 - 690 kg/m<sup>3</sup>

28 mm - 610 - 630 kg/m<sup>3</sup>

36 mm - 610 - 630 kg/m<sup>3</sup>

### Assembly:

product delivered in separate elements

### Packing:

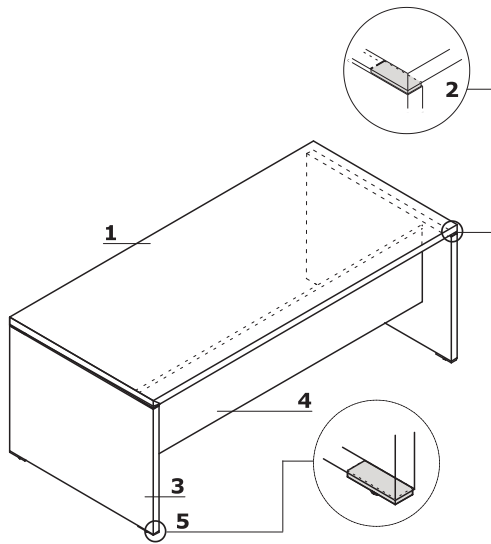
**desks, cabinet, pedestals, storages:**

cardboard;

**meeting tables:**

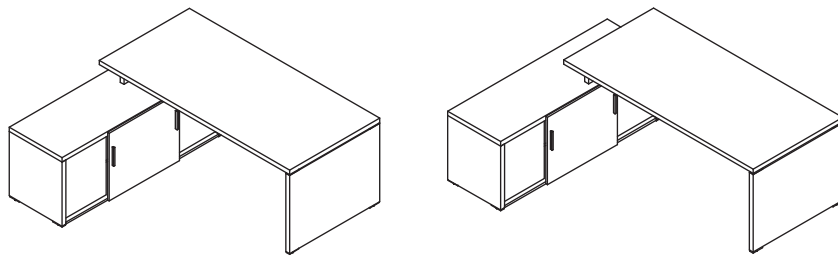
cardboard, perforated plastic mesh wrap

Desks



- 1. Worktop - MFC 38 mm, ABS edge
- 2. Top distance - aluminium 100x34x9 mm
- 3. Base - MFC 38 mm, ABS edge
- 4. Modesty panel - MFC 18 mm, ABS edge
- 5. Leveling feet - aluminium 100x34x9 mm, range 5 mm

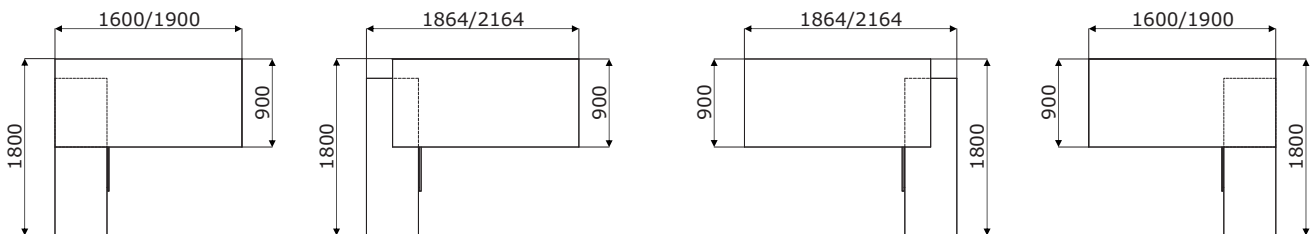
Configuration examples



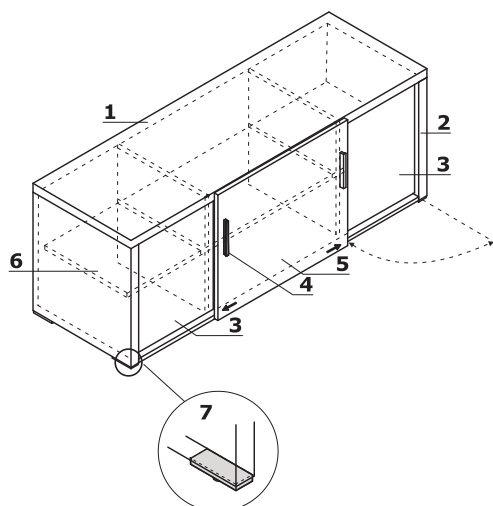
www.mdd.eu

QU16 / QU19

Configuration examples (mm)

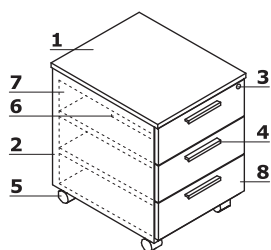


## Cabinet



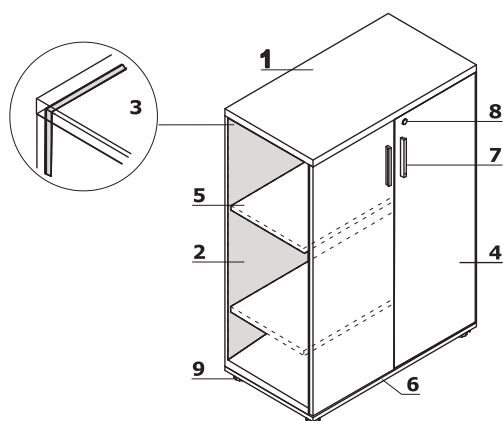
1. **Top** - MFC 38 mm, ABS edge
2. **Side panels** - MFC 38 mm, ABS edge
3. **Front** - MFC 18 mm, ABS edge
4. **Aluminum handle**
5. **Sliding front** - MFC 18 mm, ABS edge
6. **Shelf** - MFC 18 mm, protection against accidental falling-out, ABS edge
7. **Leveling feet** - aluminum 100x34x9 mm, range 5 mm

## Mobile pedestal QD13



1. **Top** - MFC 18 mm, ABS edge
2. **Body** - MFC 18 mm, ABS edge
3. **Central lock** - foldable key
4. **Aluminum handle**
5. **Castors** - Ø50 mm, two with brakes
6. **Pencil tray** - plastic, colour: black
7. **MFC drawer** - roll runners, max load 25kg, 80% extraction; Anti-tilt mechanism
8. **Front** - MFC 18 mm, ABS edge

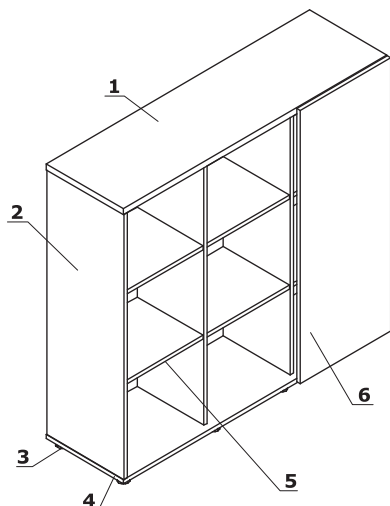
## Storages



1. **Top** - MFC 28 mm, ABS edge
2. **Side panels** - MFC 18 mm, ABS edge
3. **Back MFC** - 18 mm, ABS edges
4. **Front** - MFC 18 mm, ABS edge, plain hinge 110°
5. **Shelf** - MFC 18 mm, protection against accidental falling-out, ABS edge
6. **Base** - MFC 18 mm, ABS edge
7. **Aluminum handle**
8. **Patent lock**
9. **Leveling feet** 27 mm - range 5 mm

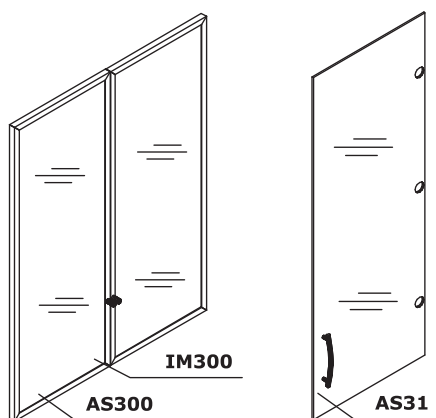
<p><b>Quando</b></p>	<p>Date of preparation 16.09.2020</p>	<p>The data contained in this document is valid in the day of its preparation. Change of the product, as long as it does not affect the basic features of it, does not require consistent updates of the document.</p>	<p>page 4/10 <b>technical specification</b></p>
----------------------	---	--	---

**Storage with sliding front - Q315**



- 1. Top - MFC 28 mm, ABS edge
- 2. Side panels - MFC 18 mm, ABS edge
- 3. Leveling feet 27 mm - range 5 mm
- 4. Base - MFC 18 mm, ABS edge
- 5. Shelf - MFC 18 mm, protection against accidental falling-out, ABS edge
- 6. Sliding front - MFC 18 mm, ABS edge

**Additional elements for storages**

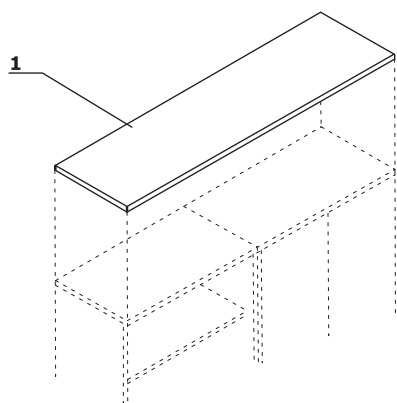


- 1. IM300
  - glass door 30H
  - transparent tempered glass 4 mm, with aluminum frame
- 2. AS300
  - glass door 30H
  - frosted tempered glass 4 mm, with aluminum frame
- 3. AS31
  - glass door 30H
  - transparent tempered glass 4 mm
  - universal (left,right)

www.mdd.eu

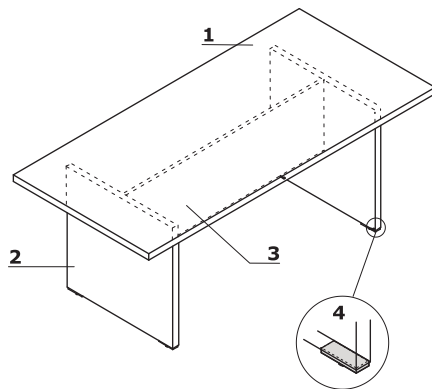
**Optional storage tops**

- 1. Top - MFC 38 mm, ABS edge



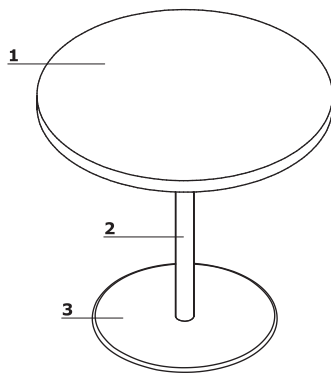
### MFC base meeting tables

- 1. **Worktop** - MFC 38 mm, ABS edge
- 2. **Base** - MFC 38 mm, ABS edge
- 3. **Modesty panel** - MFC 18 mm, ABS edge
- 4. **Leveling feet** - aluminium 100x34x9 mm, range 5 mm

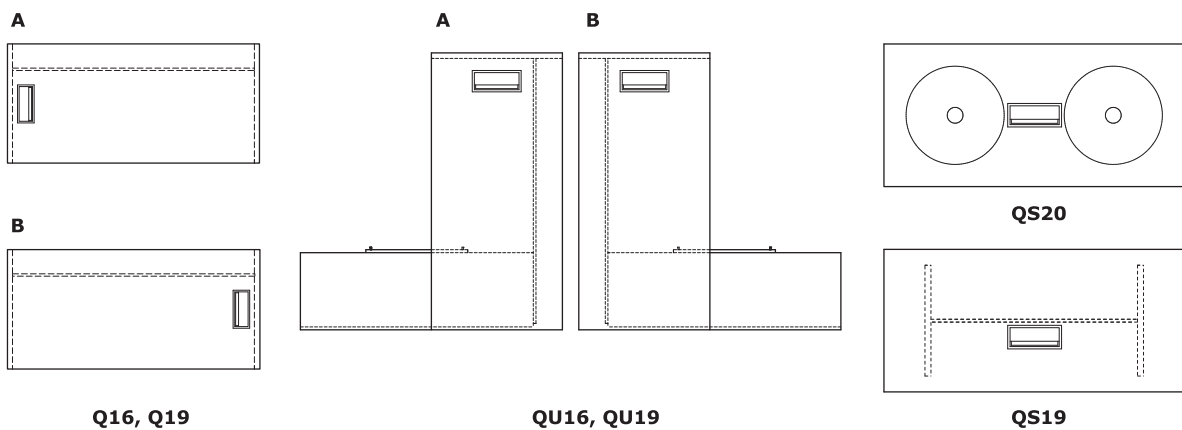


### Disc base meeting tables

- 1. **Worktop** - MFC 38 mm, ABS edge
- 2. **Column** - powder coated steel
- 3. **Disc** - stainless steel



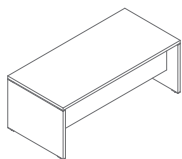
### Mediabox location



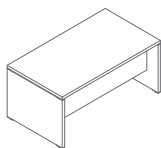
To order product with mediabox, at the end of the symbol should be added a letter (A,B...); which is corresponding to the selected configuration (ex. Q19A);

<b>Quando</b>	Date of preparation 16.09.2020	The data contained in this document is valid in the day of its preparation. Change of the product, as long as it does not affect the basic features of it, does not require consistent updates of the document.	page 6/10
			<b>technical specification</b>

**Desks \***

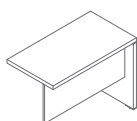


**Q19**  
1900 / 900 / 740  
82.9 kg



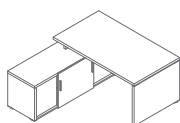
**Q16**  
1600 / 900 / 740  
26 kg

**Desk extension \***

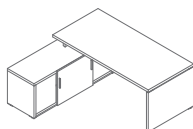


**Q10**  
1000 / 550 / 740  
27 kg

**Desks with managerial storage \***

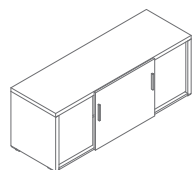


**QU16**  
1600-1864 / 900-1800 / 740  
138.5 kg



**QU19**  
1900-2164 / 900-1800 / 740  
148.4 kg

**Cabinet \***



**QR16**  
1600 / 550 / 610  
81 kg

\* dimensions expressed in millimeters: width x depth x height

<b>Quando</b>	Date of preparation 16.09.2020	The data contained in this document is valid in the day of its preparation. Change of the product, as long as it does not affect the basic features of it, does not require consistent updates of the document.	page 7/10
			<b>products</b>

**Pedestal \***

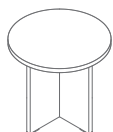


**QD13**  
402 / 600 / 590  
30 kg

**Meeting tables \***



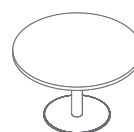
**QSL08**  
800 / 800 / 550  
30 kg



**QS08**  
800 / 800 / 740  
36 kg

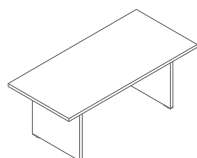


**QS09**  
800 / 800 / 740  
35 kg

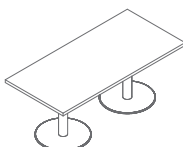


**QS12**  
1200 / 1200 / 740  
60 kg

www.mdd.eu

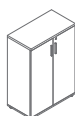


**QS19**  
1900 / 900 / 740  
71.9 kg

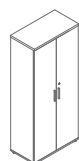


**QS20**  
1900 / 900 / 740  
100.9 kg

**Storages \***



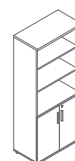
**Q31**  
801 / 432 / 1129  
43 kg



**Q51**  
801 / 432 / 1833  
75 kg



**Q35**  
801 / 432 / 1129  
37 kg



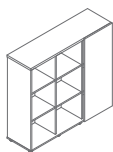
**Q54**  
801 / 432 / 1833  
65 kg

\* dimensions expressed in millimeters: width x depth x height

<b>Quando</b>	Date of preparation 16.09.2020	The data contained in this document is valid in the day of its preparation. Change of the product, as long as it does not affect the basic features of it, does not require consistent updates of the document.	page 8/10
			<b>products</b>

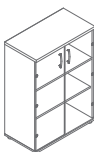


**Storages \***

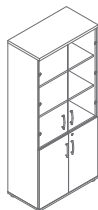


**Q315**  
1400 / 432 / 1280  
72 kg

**Glass door storages \***



**Q35W**  
801 / 432 / 1129  
37 kg



**Q54W**  
801 / 432 / 1833  
65 kg

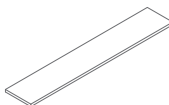
**Optional storage tops \***



**QT08**  
806 / 434 / 38  
8.5kg



**QT16**  
1608 / 434 / 38  
17 kg



**QT24**  
2410 / 434 / 38  
26 kg

**Additional elements \***



**Hq2**  
12 / 17 / 158  
0.1 kg



**M04**  
275 / 120 / 140  
1.6 kg



**M04H**  
275 / 120 / 140  
1 kg



**M05**  
275 / 120 / 25  
0.3 kg

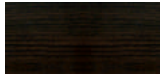
\* dimensions expressed in millimeters: width x depth x height

---

### MFC elements



31 Canadian oak



34 Chestnut



106 Lowland  
walnut



167 Grey oak



168 Natural oak

---

### Tables - disc base - column



M009 Aluminum  
semi-matt RAL9006



M015 White  
semi-matt RAL9010



M115 Black  
semi-matt RAL9005

---