

Crystal technical specification



.mdd

MDD has a leading position among manufacturers of office furniture with many awards that prove quality and continuously increase demand for its products.

The realities of today's market require constant quality improvement at all levels of modern organization. This applies in particular to customer service, marketing, quality of products and also to quality of processes within the company.

Partnership relations among employees and with business partners form a base of economic growth and success of the company.

Constant investments in innovative machinery park, optimization of management systems and an expansion of production halls allow to minimize the lead times for the product of the highest quality.

More than twenty years of experience in office furniture industry come with reference from a long list of companies and institutions to show their appreciation for an efficient and comprehensive service.

MDD is highly aware of the environment.

Being located in the forest region with lake by its side, MDD takes the nature seriously and invests constantly in a modern and energy-efficient solutions to preserve the local life. Company puts emphasis on waste segregation and recycling. MDD has been awarded for the exceptional care and involvement in waste disposal. All materials used are environmentally friendly and enjoy a high 95 % rate of being recycled.



General informations:

Warranty:

MDD products – **5 years.**

Electrical components and fabric – **2 years.**

Certificate - MFC:



Compliant with standards:

PN-EN 527-2:2017-02

PN-EN 14073-2:2006

Boards density:

12 mm – 690 – 750 kg/m³

18 mm – 650 – 690 kg/m³

28 mm – 610 – 630 kg/m³

36 mm – 610 – 630 kg/m³

Assembly:

product delivered in separate elements

Packing:

desk, modesty screens, cabinet,

pedestal, glass door storages:

cardboard;

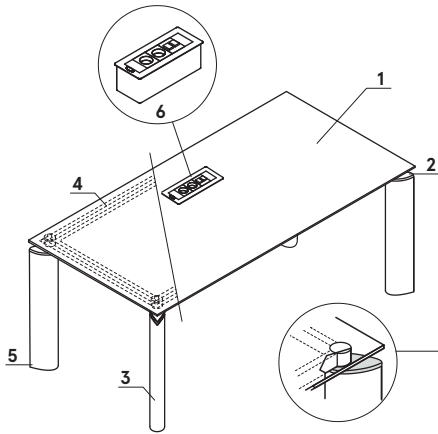
conference table:

cardboard, wooden crate

storages:

cardboard, bubble wrap or stretch foil;

Desks



1. Top - choose from:

- MFC 12 mm, ABS edge
- tempered glass, satin, matt 10 mm, colour: white (ultra clear), black, painted underneath

2. Chrome decorative element

3. Frame - aluminum, powder coated steel with chrome details 50x50 mm

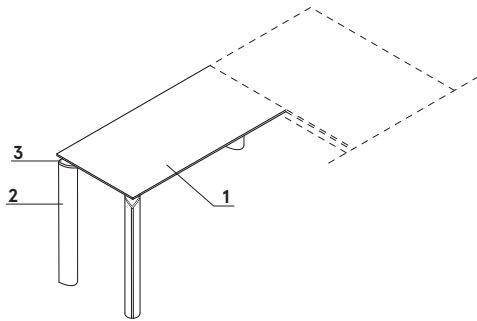
4. Profile - powder coated steel - clour: 08 black

5. Leveling - 5 mm range

6. OPTION WITH EXTRA CHARGE - only for desks with MFC top:

- Mediaport S91E - 2x 230V, 2x RJ45

Extension



1. Top - choose from:

- MFC 12 mm, ABS edge
- tempered glass, satin, matt 10 mm, colour: white (ultra clear), black, painted underneath

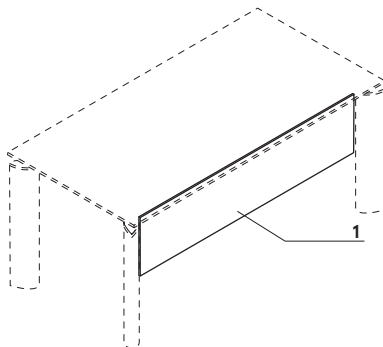
2. Chrome decorative element

3. Frame - aluminum, powder coated steel with chrome details 50x50 mm

ATTENTION - universal (left, right); - possible addition to desks and coference tables

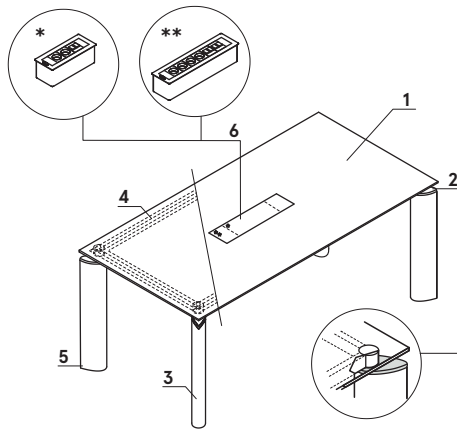
MFC modesty screens

1. Modesty panel - MFC 18 mm, ABS edge



Crystal	Date of preparation 22.09.2020	The data contained in this document is valid in the day of its preparation. Change of the product, as long as it does not affect the basic features of it, does not require consistent updates of the document.	page 3/15 technical description
---------	-----------------------------------	---	------------------------------------

Conference table



1. Top - choose from:

- MFC 12 mm, ABS edge
- tempered glass, satin, matt 10 mm, colour: white (ultra clear), black, painted underneath

2. Chrome decorative element

3. Frame - aluminum, powder coated steel with chrome details 50x50 mm

4. Profile - powder coated steel - clour: 08 black

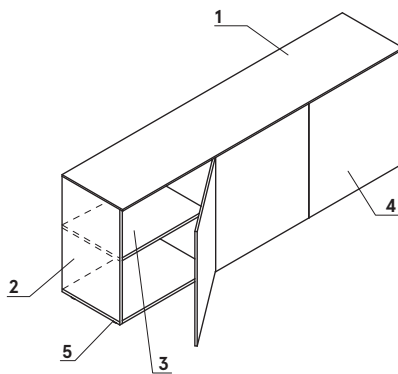
5. Leveling - 5 mm range

6. OPTION WITH EXTRA CHARGE - only for desks with MFC top:

- Mediaport S91E - 2x 230V, 2x RJ45
- Mediaport S92E - 4x 230V, 4x RJ45

* Mediaport S91E, **Mediaport S92E

Cabinet



1. Top panel - choose from:

- MFC 12 mm, ABS edge
- tempered glass, satin 10 mm, painted underneath

2. Side panels - MFC 18 mm, ABS edge

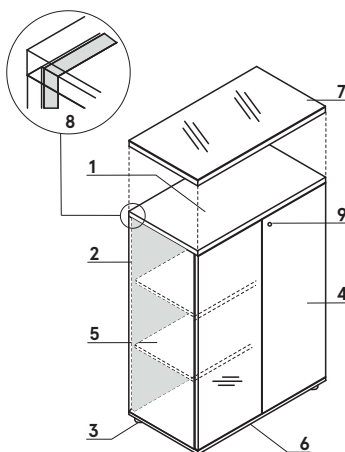
3. Shelf - MFC 18 mm, protection against accidental falling-out, ABS edge

4. Front - push-to-open - choose from:

- MFC 18 mm, ABS edge
- tempered glass, satin 4 mm, painted underneath

5. Leveling feet - range 5 mm

Storages with HPL front



1. Top - MFC 28 mm, ABS edge

2. Side panels - MFC 18 mm, ABS edge

3. Leveling feet 27 mm - range 12 mm

4. Front - Push-to-Open, coated with HPL high gloss

5. Shelf - MFC 18 mm, protection against accidental falling-out, ABS edge

6. Base - MFC 18 mm, ABS edge

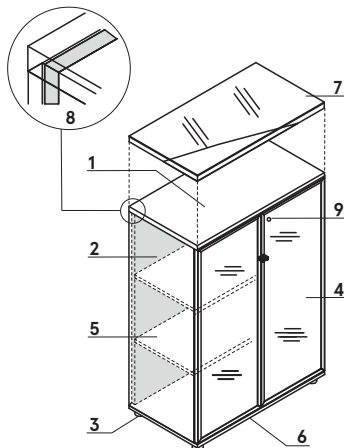
7. Optional top A800GT - MFC 28 mm + LACOBEL glass 4 mm, ordered separately

8. Back MFC - 18 mm, ABS edges

9. Patent lock

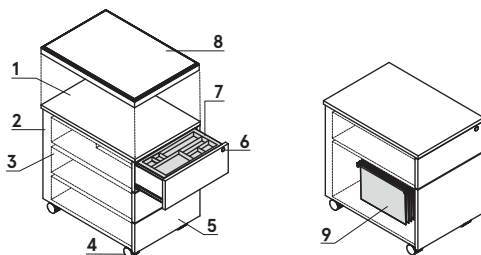
Crystal	Date of preparation 22.09.2020	The data contained in this document is valid in the day of its preparation. Change of the product, as long as it does not affect the basic features of it, does not require consistent updates of the document.	page 4/15 technical description
---------	-----------------------------------	---	------------------------------------

Glass door storages



1. **Top** - MFC 28 mm, ABS edge
2. **Side panels** - MFC 18 mm, ABS edge
3. **Leveling feet** 27 mm - range 12 mm
4. **Front** - transparent tempered glass in aluminum frame
5. **Shelf** - MFC 18 mm, protection against accidental falling-out, ABS edge
6. **Base** - MFC 18 mm, ABS edge
7. **Optional top A800GT** - MFC 28 mm + LACOBEL glass 4 mm, ordered separately
8. **Back MFC** - 18 mm, ABS edges
9. **Aluminum handle**

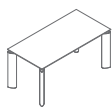
Mobile pedestal without handles



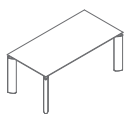
1. **Top** - MFC 18 mm, coated with HPL high gloss
2. **Body** - MFC 18 mm, ABS edge
3. **Metal drawer** - roll runners, max load 25 kg, 80% extraction, anti-tilt mechanism; OPTION WITH EXTRA CHARGE - ball runners, soft-closing system
4. **Castors** - Ø50 mm, two with brakes
5. **Front** - MFC 18 mm, coated with HPL high gloss, ABS edge
6. **Central lock** - foldable key
7. **Pencil tray** - plastic, colour: black
8. **Optional cushion SKP13** - for pedstal, max load 120 kg, ordered separately
9. **Suspension files drawer** - ball runners, max load 30 kg, 100% extraction, A4 folders must be inserted parallelly to the front

ATTENTION - sitting on the pedestal possible only after mounting the cushion (SKP13); the pedestal with cushion is intended for sitting only
 - moving the pedestal while sitting may result in damaging the castors

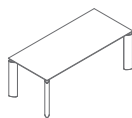
MFC top desks *



AE4
1600 / 800 / 760
32.5 kg



AE5
1800 / 900 / 760
36.5 kg



AE6
2000 / 900 / 760
39 kg

MFC top desk extension *

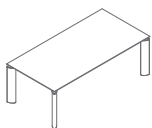


AE8
800 / 600 / 760
16 kg



AE7
1200 / 600 / 760
19 kg

MFC top meeting table *

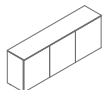


AE11
2200 / 1100 / 760
48.6 kg

Cabinet *



AE21
1334 / 432 / 740
59 kg



AE20
2000 / 432 / 740
105 kg

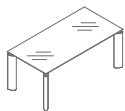
* dimensions expressed in millimeters: width x depth x height

Crystal	Date of preparation 22.09.2020	The data contained in this document is valid in the day of its preparation. Change of the product, as long as it does not affect the basic features of it, does not require consistent updates of the document.	page 6/15
			products

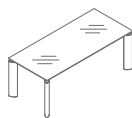
Glass top desks *



AE4S
1600 / 800 / 760
82.5 kg



AE5S
1800 / 900 / 760
97.5 kg



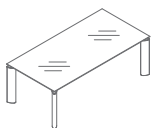
AE6S
2000 / 900 / 760
116.9 kg

Glass top desk extension *



AE7S
1200 / 600 / 760
48 kg

Glass top meeting table *

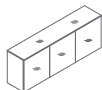


AE11S
2200 / 1100 / 760
137 kg

Cabinet with glass *



AE21S
1334 / 432 / 740
59 kg



AE20S
2000 / 432 / 740
105 kg

* dimensions expressed in millimeters: width x depth x height

Crystal	Date of preparation 22.09.2020	The data contained in this document is valid in the day of its preparation. Change of the product, as long as it does not affect the basic features of it, does not require consistent updates of the document.	page 7/15
			products

MFC modesty screens *



AE4B
1400 / 18 / 350
7.3 kg



AE5B
1600 / 18 / 350
8.3 kg



AE6B
1800 / 18 / 350
9.3 kg

Mobile pedestals without handles with HPL top and front *



SLD12HT
416 / 600 / 587
23 kg



SLD13HT
416 / 600 / 587
23 kg

Pedestal cushion *

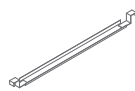


SKP13
400 / 600 / 52
3 kg

Cable management *



EK1200
1496 / 85 / 94
3.4 kg



EK1400
1696 / 85 / 94
3.9 kg

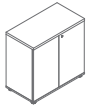


EK1600
1896 / 85 / 94
4.2 kg

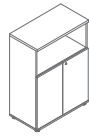
* dimensions expressed in millimeters: width x depth x height

Crystal	Date of preparation 22.09.2020	The data contained in this document is valid in the day of its preparation. Change of the product, as long as it does not affect the basic features of it, does not require consistent updates of the document.	page 8/15
			products

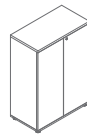
Storages with HPL front *



A2104HZ
801 / 432 / 777
35 kg



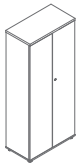
A3404HZ
801 / 432 / 1129
40 kg



A3104HZ
801 / 432 / 1129
44 kg



A5404HZ
801 / 432 / 1833
65 kg



A5104HZ
801 / 432 / 1833
80.7 kg

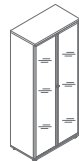
Glass door storages *



A3104W
801 / 432 / 1129
47 kg



A5404WZ
801 / 432 / 1833
74.7 kg



A5104W
801 / 432 / 1833
75 kg

Glass top *

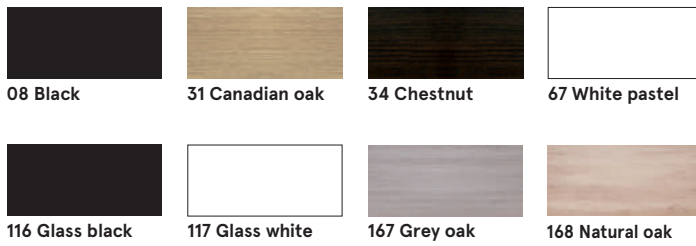


A800GT
800 / 432 / 33
8 kg

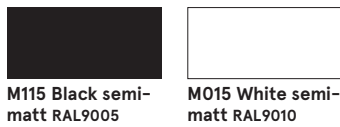
* dimensions expressed in millimeters: width x depth x height

Desks and conference table

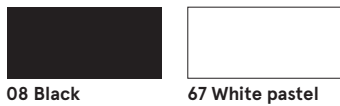
Top



Frame



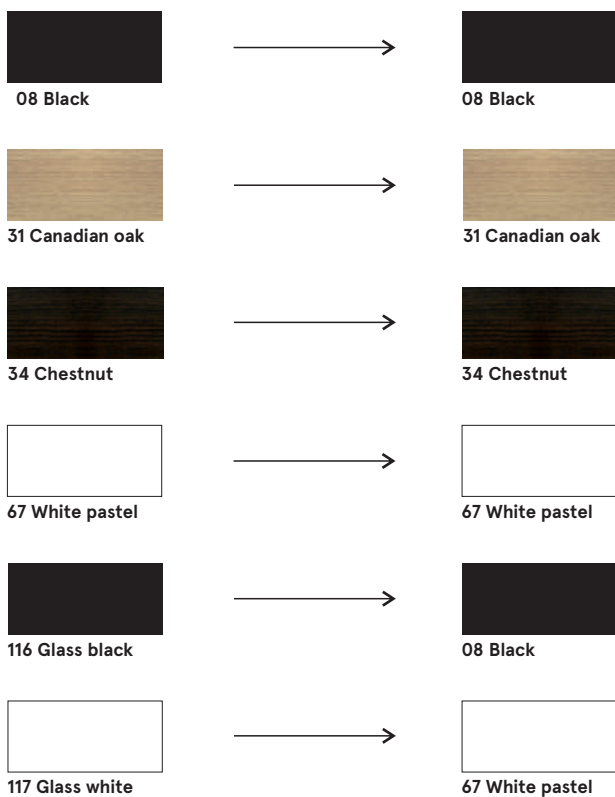
Modesty panel



Cabinet

Top, front

Body



Cabinet

Top, front



167 Grey oak



Body



34 Chestnut



168 Natural oak



34 Chestnut

Storages

Top, base, body



08 Black



67 White pastel

Front



74 Orange high gloss



80 Green high gloss



81 Burgundy high gloss



102 Yellow high gloss



108 Blue high gloss



127 Dark pink high gloss



148 Grey high gloss



101 Black high gloss



155 Anthracite high gloss



73 White high gloss

Mobile pedestal without handles

Top, front



101 Black high gloss



73 White high gloss

Body



08 Black



67 White pastel

Copplementary elements

A800GT



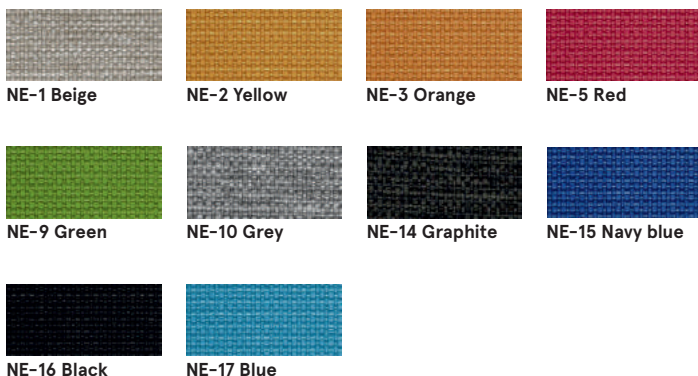
Glass black



Glass white

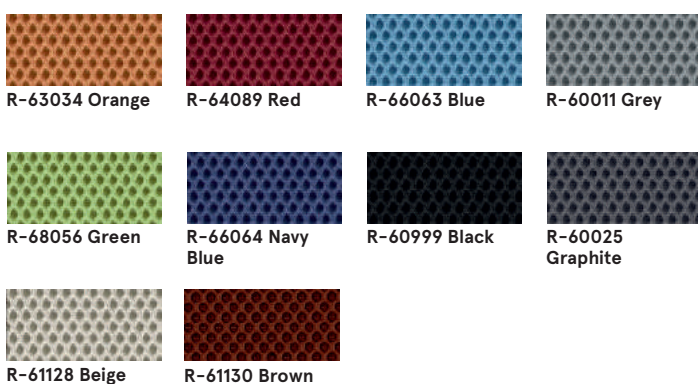
SKP13

Fabric Nemo



Technical data:
Material polyester 100%
Fabric weight 366g/m2
Abrasion resistance rubs PN-EN ISO 12947 - 2:2 100,000
Pilling resistance scale 1-8, max. 8, PN-EN ISO 105 - B02 (3-4)
Colour fastness to rubbing scale 1-5, max. 5, PN-EN 1021 - 2, PN-EN 1021 - 1
Colour fastness to rubbing skscale 1-5, max. 5, EN ISO 105x12 (wet/dry) 4-5

Fabric Runner - second price group



Technical data:
Material 80% polyester, 20% post-consumer recycled polyester
Fabric weight 510 g/lm (16.45 oz./lin.yd.)
Abrasion resistance rubs BS EN ISO 12947-2 70,000 Martindale cycles
Pilling resistance scale 1-5, max 5, EN ISO 12945-2 (4-5)
Colour fastness to light scale 1-8, max 8, EN ISO 105-B02 (5-7)
Colour fastness to rubbing scale 1-5, max 5, EN ISO 105x12 (wet/dry) 4-5
Acoustic test sound absorption ISO 354
Flammability BS EN 1021-2 Match, CA TB 117-2013, BS EN 1021-1 (cigarette) Class Uno UNI 9175 Class 2, EMME

Fabric Medley - second group



Technical data:
Material polyester 100%
Fabric weight 510 g/lm (16.45 oz./lin.yd.)
Abrasion resistance rubs BS EN ISO 12947-2, 75,000 cykli Martindale
Pilling resistance scale 1-5, max. 5, EN ISO 12945-2 (4)
Colour fastness to light scale 1-8, max. 8, EN ISO 105-B02 (5-7)
Colour fastness to rubbing scale 1-5, max. 5, EN ISO 105x12 (wet/dry (4-5/4-5))
Acoustic test sound absorption ISO 354
Flammability BS EN 1021-1 (cigarette) BS 476 Part 7, Class 2 Class Uno UNI 9174 - UNI 8457 CA TB 117-2013 ASTM E 84 Class I

Fabric Atlantic * - second price group



Technical data:

Material polyester 100%

Fabric weight 530 g/lm (17.09 oz/lin.yd.)

Abrasion resistance rubs BS EN ISO 12947-2, 110,000 Martindale cycles

Pilling resistance scale 1-5, max. 5, EN ISO 12945-2 (4-5)

Colour fastness to light scale 1-8, max. 8, EN ISO 105-B02 (5-7)

Colour fastness to rubbing scale 1-5, max. 5, EN ISO 105x12 (wet/dry (4-5/4-5))

Flammability CA TB 117-2013
ASTM E 84 Class I
BS EN 1021-2 (zapalka)
BS EN 1021-1 (papieros)

Fabric River - second group



Technical data:

Material polyester 100%

Fabric weight 300g/m2 (+/- 5%)

Abrasion resistance rubs 100,000 Martindale cycles (EN ISO 12947-1,2)

Pilling resistance EN ISO 12945-2 (5)

Colour fastness to light 4 (EN ISO 105-B02)

Colour fastness to rubbing dry: 4-5, wet: 3 (EN ISO 105-x12)

Flammability BS 5852: Part 1, Ignition Source 0 (cigarette)
BS 5852: Part 1, Ignition Source 1 (match)
EN1021 - 2

Fabric Xtreme - third price group



Technical data:

Material 100% Trevira Clame (CS)
100% Recykling (YS)
Flame Retardant polyester.
Non metallic dyestuffs.

Fabric weight 310 g/m2 ±5% (435g/lin.m ±5%)

Abrasion resistance rubs 60,000 Martindale cycles (CS)
100,000 Martindale cycles (YS)

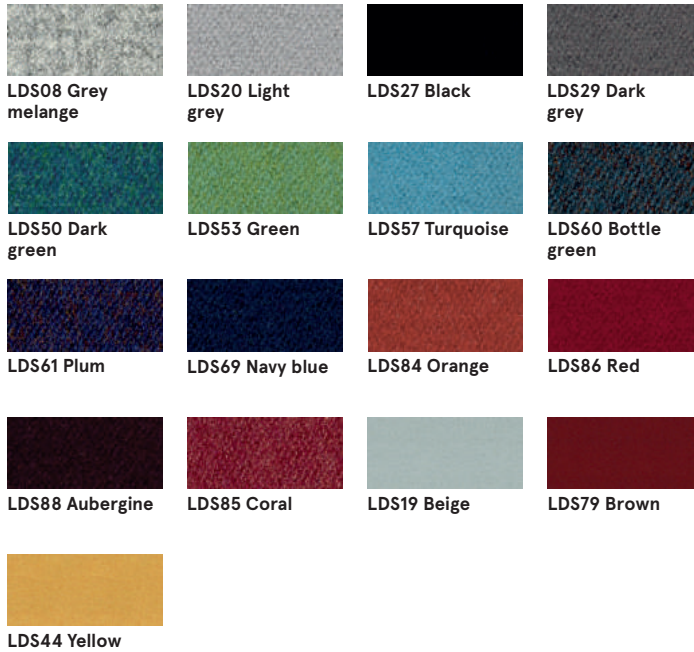
Colour fastness to light 6 (ISO 105 - B02)

Colour fastness to rubbing wet: 4, dry: 4 (ISO 105 - X12)

Flammability EN 1021 - 1 (cigarette),
EN 1021 - 2 (match)
BS 7176 Low Hazard,
NF P92-507 M1, DIN 4102 B1,
UNI 9175 Class 1 IM, UNI 8456,
UNI 9174 & UNI 9177 Classe Uno,
ÖNORM B 3825 & A 3800-1
NF D 60-013

* There is a possibility of ordering the product in full colour spectrum of Atlantic range, as per Gabriel's pattern book, within 8 weeks

Fabric Synergy - third price group



Technical data:

Material 95% Virgin Wool , 5% Poliamid
Fabric weight 400g/m2 ±5% (560 g/lin.m ±5%)
Abrasion resistance rubs Independently certified
 ≥100,000 Martindale cycles
Colour fastness to light 5 (ISO 105 - B02)
Colour fastness to rubbing ISO 105 - X12 - wet: 4, dry: 4
Flammability EN 1021 - 1 (cigarette),
 EN 1021 - 2 (match),
 BS 7176 Low Hazard,
 UNI 9175 Classe 1 IM,
 ÖNORM B 3825 & A 3800-1

Fabric Silvertex - third price group

Technical data:

Material Topcoat: 100% Vinyl
 Backing: 100% Polyesterr Hi-Loft™
Fabric weight 685 gr/m2
Abrasion resistance >300,000 cycles Martindale
UV-resistance >= 7 (1000 hours, blue wool scale)
Cold Crack resistance -23°C
Flame retardancy NF P 92-503 / M2
 EN 1021, Part 1&2
 DIN 4102 B2
 ÖNORM B 3825, Gruppe I - Schwerbrennbares Verhalten
 ÖNORM A 3800, Teil I, Qualmbildungsklasse QI - schwachqualmend
 IMO Res. MSC.307 (88) (2010 FTP Code) Annex I Part 8
 (MED) Marine Equipment Directive in its current valid version
 UNI 91 75 (1987) / UNI 9175/FAI (1994) Classe I.IM (uno I EMME)
 UNE 23.727-90 IR /M2
 EN 71-2: 2006+A1: 2007 Safety of Toys - Part 2: Flammability
 ECE R 11 8 (replaces Directive 95/28/EC)
 FMVSS 302
 FAR 25/853
Antimicrobial Antifungal Protection, Antibacterial Protection, Antimycotic Protection

There is a possibility of ordering the product in full colour spectrum of Silvertex range, as per Spradling's pattern book, within 15 working days.

Fabric Atlas – fourth price group



Technical data:

Material 90% new wool, 10% nylon
Fabric weight 286g/m2, 400g/lm
Abrasion resistance rubs 100,000 cykli Martindale, EN ISO 12947
Colour fastness to light ISO 105 B02: 6-7
Colour fastness to rubbing ISO 105-X12:2001, (wet/dry) 4-5/4-5
Flammability BS EN 1021-2 Match, BS EN 1021-1 Cigarette, BS 5 5852 Crib 5, BS 5852 ignition source 3, BS 5852 Part 1, NF D 60 013, UNI 9175 11M, US Cal. Bull. 117-2013

Fabric Field2 – fourth price group



Technical data:

Material 100% Trevira CS
Fabric weight 321g/m2, 450g/lm
Abrasion resistance rubs 100,000 cykli Martindale, EN ISO 12947
Colour fastness to light ISO 105 B02: 5-7
Flammability BS EN 1021-2 Match, BS EN 1021-1 Cigarette, BS 5 5852 Crib 5, DIN 4102 B1 FAR 25.853, UNI 9177 classe 1, US Cal. Bull. 117-2013