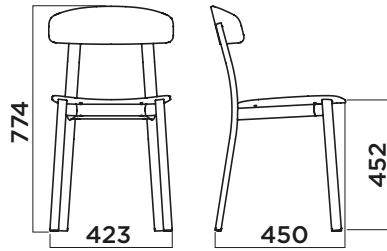


FELUCA POP 4 legs

5091-4LGP / 5091-O4LP

Design BrogliatoTraverso



FRAME

TELAIO
BASTIDOR

Metal frame in oval tube 40x20 mm, thickness 1,5 mm, accordingly with UNI EN 10305-3 rule

Metal frame in oval tube 40x20 mm, thickness 1,5 mm, accordingly with UNI EN 10305-3 rule

Metal frame in oval tube 40x20 mm, thickness 1,5 mm, accordingly with UNI EN 10305-3 rule



20



9004F



79



78



6013F



7006F

OUTDOOR FRAME

TELAIO OUTDOOR
BASTIDOR PARA
EXTERIORES

Epoxy-polyester powder painted frame for outdoor, average thickness 50 μ.

Telaio per esterno verniciato a polveri epossipoliestere spessore medio 50 μ.

Estructura pintada epoxy para exteriores, espesor medio de 50 μ.



20-E



9004F-E



79-E



78-E



6013F-E



7006F-E

SEAT AND BACKREST

SEDUTA E SCHIENALE
ASIENTO Y RESPALDO

Post consumer industrial Polypropylene + Glass Fiber

Plastica post consumo industriale + Fibra di vetro

Plástico industrial posconsumo + Fibra de vidrio



IR8022



IR6013



IS022

Polypropylene + Glass Fiber

Polipropilene + Fibra di vetro

Polipropileno + Fibra de vidrio



S020



S529



S527

Request information from the sales department

UPHOLSTERY

TAPPEZZERIA
TAPIZADOS

PKG

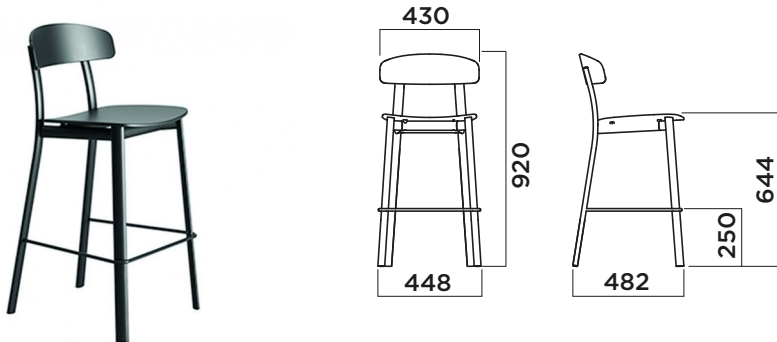
IMBALLO
EMBALAJE

Pkg	A(cm)	B(cm)	h(cm)	MC	PCS	Weight (kg)
	42	60	97	0.24	2	13.5

FELUCA POP kitchen stool

5091-KSTP / 5091-OK4P

Design BrogliatoTraverso



FRAME

TELAIO
BASTIDOR

Metal frame in oval tube 40x20 mm, thickness 1,5 mm, accordingly with UNI EN 10305-3 rule

Metal frame in oval tube 40x20 mm, thickness 1,5 mm, accordingly with UNI EN 10305-3 rule

Metal frame in oval tube 40x20 mm, thickness 1,5 mm, accordingly with UNI EN 10305-3 rule



20



9004F



79



78



6013F



7006F

OUTDOOR FRAME

TELAIO OUTDOOR
BASTIDOR PARA
EXTERIORES

Epoxy-polyester powder painted frame for outdoor, average thickness 50 µ.

Telaio per esterno verniciato a polveri epossipoliestere spessore medio 50 µ.

Estructura pintada epoxy para exteriores, espesor medio de 50 µ.



20-E



9004F-E



79-E



78-E



6013F-E



7006F-E

SEAT AND BACKREST

SEDUTA E SCHIENALE
ASIENTO Y RESPALDO

Post consumer industrial Polypropylene + Glass Fiber

Plastica post consumo industriale + Fibra di vetro

Plástico industrial posconsumo + Fibra de vidrio



IR8022



IR6013



IS022

Polypropylene + Glass Fiber

Polipropilene + Fibra di vetro

Polipropileno + Fibra de vidrio



S020



S529



S527

Request information from the sales department

UPHOLSTERY

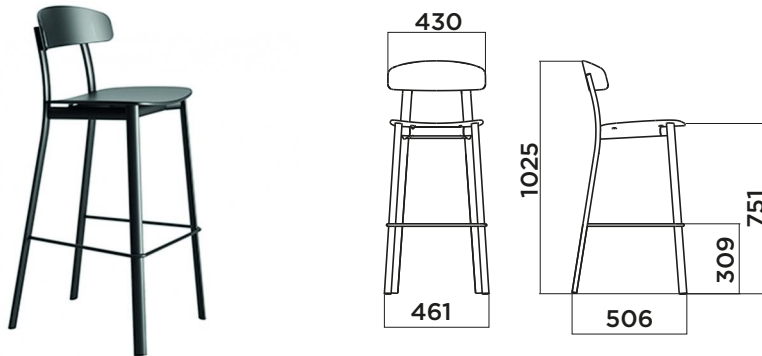
TAPPEZZERIA
TAPIZADOS

PKG

IMBALLO
EMBALAJE

Pkg	A(cm)	B(cm)	h(cm)	MC	PCS	Weight (kg)
	52.5	57	96.5	0.29	1	9

FELUCA POP bar stool
5091-BSTP / 5091-OB4P
Design BrogliatoTraverso



FRAME

TELAIO
BASTIDOR

Metal frame in oval tube 40x20 mm, thickness 1,5 mm, accordingly with UNI EN 10305-3 rule

Metal frame in oval tube 40x20 mm, thickness 1,5 mm, accordingly with UNI EN 10305-3 rule

Metal frame in oval tube 40x20 mm, thickness 1,5 mm, accordingly with UNI EN 10305-3 rule



20



9004F



79



78



6013F



7006F

OUTDOOR FRAME

TELAIO OUTDOOR
BASTIDOR PARA
EXTERIORES

Epoxy-polyester powder painted frame for outdoor, average thickness 50 µ.

Telaio per esterno verniciato a polveri epossipoliestere spessore medio 50 µ.

Estructura pintada epoxy para exteriores, espesor medio de 50 µ.



20-E



9004F-E



79-E



78-E



6013F-E



7006F-E

SEAT AND BACKREST

SEDUTA E SCHIENALE
ASIENTO Y RESPALDO

Post consumer industrial Polypropylene + Glass Fiber

Plastica post consumo industriale + Fibra di vetro

Plástico industrial posconsumo + Fibra de vidrio



IR8022



IR6013



IS022

Polypropylene + Glass Fiber

Polipropilene + Fibra di vetro

Polipropileno + Fibra de vidrio



S020



S529



S527

Request information from the sales department

UPHOLSTERY

TAPPEZZERIA
TAPIZADOS

PKG

IMBALLO
EMBALAJE

Pkg	A(cm)	B(cm)	h(cm)	MC	PCS	Weight (kg)
55	67	103	0.38	1	10.5	