

Acoustic panels MODUS





Modern way to reduce noise spectrum

Acoustic panels system allows the optimization of working conditions and quality in modern office.

Using modular panel system provides:

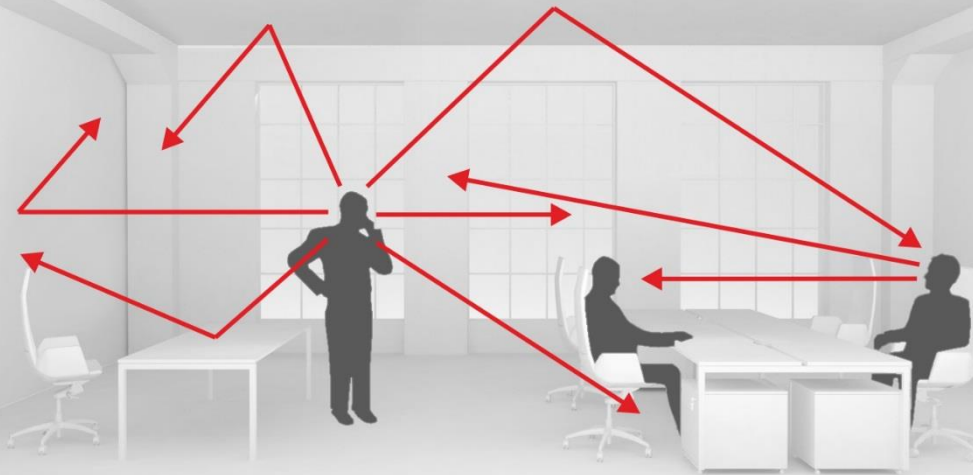
- effective sound absorption;
- zones division;
- visually attractive interior fulfillment.



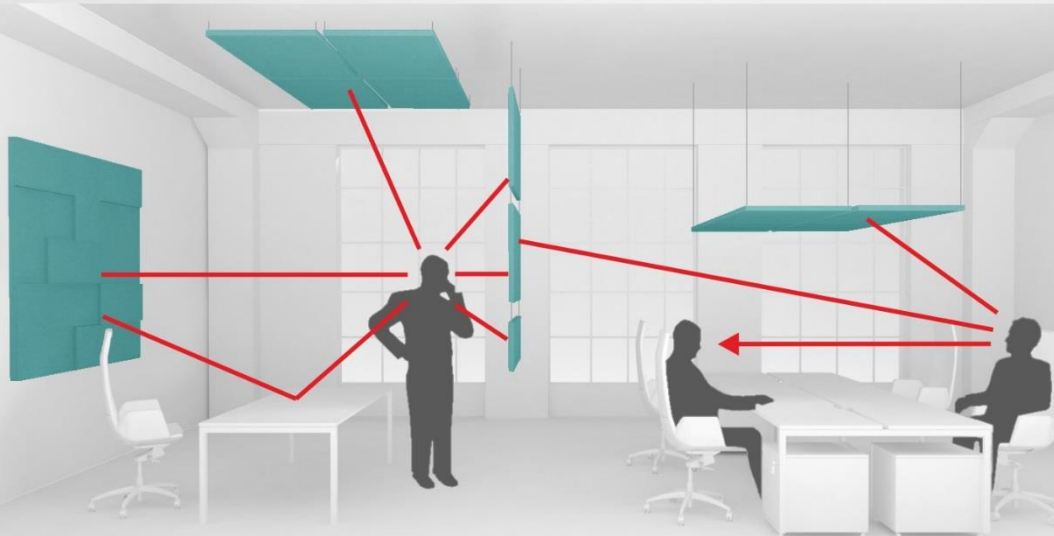
Noise control

The main function of acoustic panels is to minimize sound reflection (echo) and noise, improving the acoustic comfort.

Special patented and certified material (acoustic fleece) which effectively absorbs the sound, is used inside of the acoustic panels.

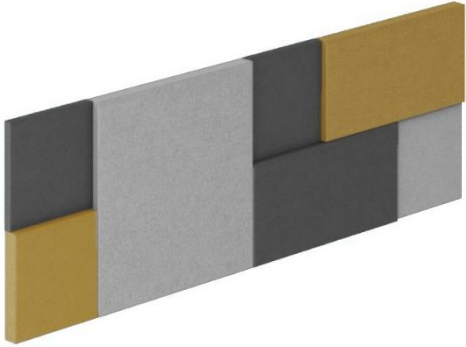
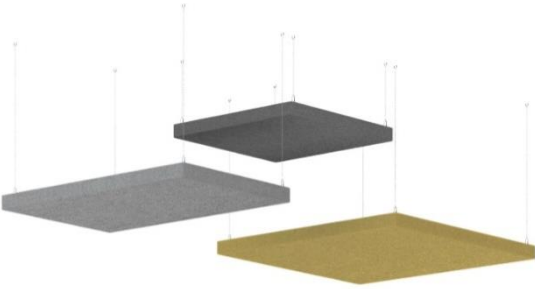



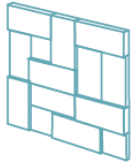
Sound dispersion without acoustic panels



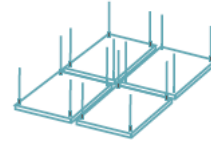
Sound dispersion with acoustic panels

Acoustic panels are divided into wall, ceiling (horizontal) and ceiling (vertical, double-sided).

Wall panels	Ceiling (horizontal) panels	Ceiling (vertical, double-sided) panels
		
<ul style="list-style-type: none">▪ Attached to the wall.	<ul style="list-style-type: none">▪ Fixed to the ceiling - height adjustable.	<ul style="list-style-type: none">▪ Fixed to the ceiling - height adjustable;▪ Divides office areas;▪ Two different fabric colors may be applied on one panel.



Wall and ceiling (horizontal) panels



H=40 mm

H=70 mm

400x400 **APU040**
 400x800 **APU041**
 400x1200 **APU042**

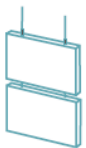
400x400 **APU070**
 400x800 **APU071**
 400x1200 **APU072**

800x800 **APU043**
 800x1200 **APU044**

800x800 **APU073**
 800x1200 **APU074**

1200x1200 **APU045**

1200x1200 **APU075**

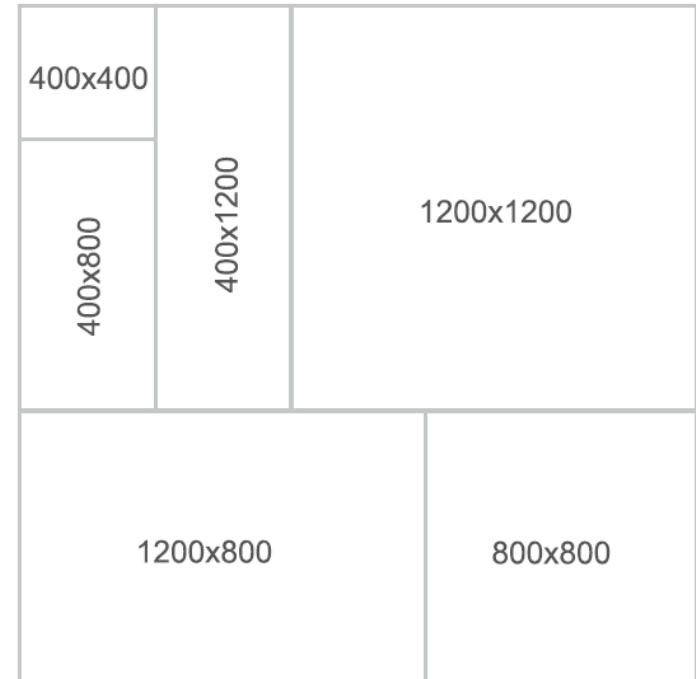


Ceiling panels (vertical, double-sided)

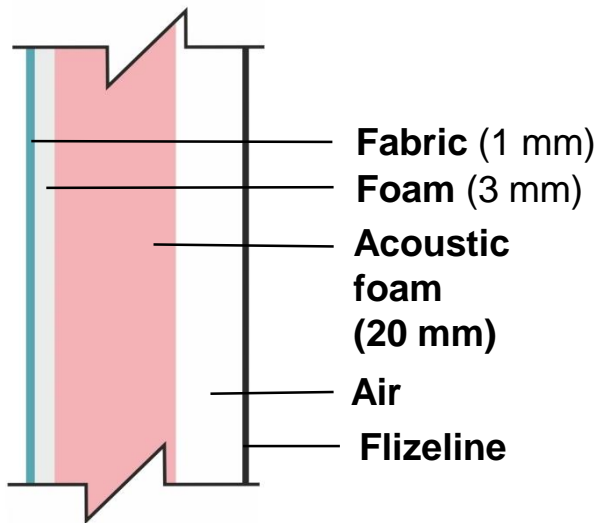
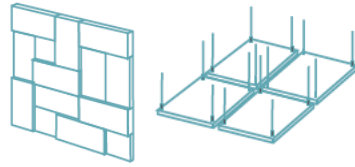
H=46 mm

1200x400 **APU046**
 1200x800 **APU082**

Available sizes (mm)

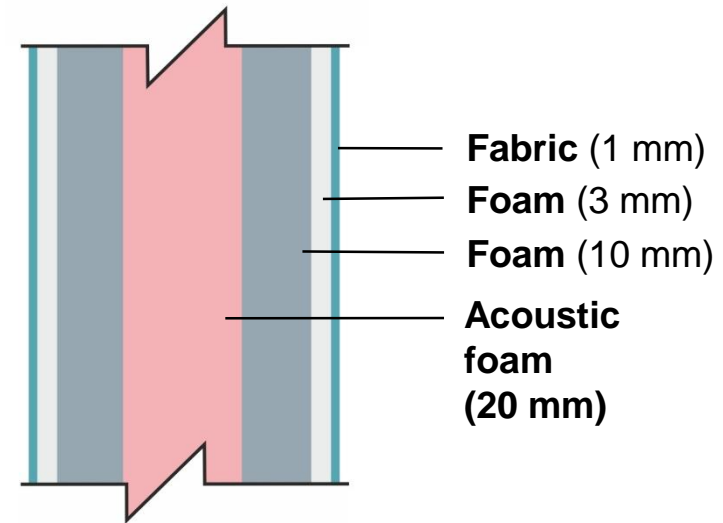
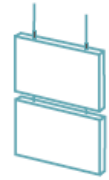


Wall and ceiling (horizontal) panel cut



Frame is made of plywood (30 mm)

Ceiling (vertical, double-sided) panel cut

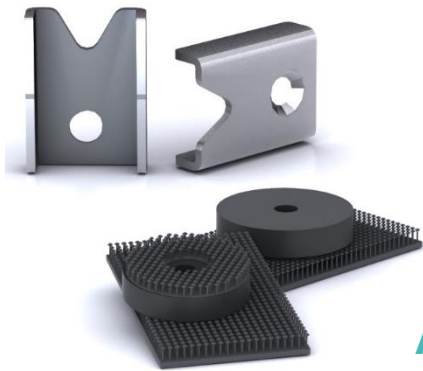


The frame is made of plywood (18 mm)

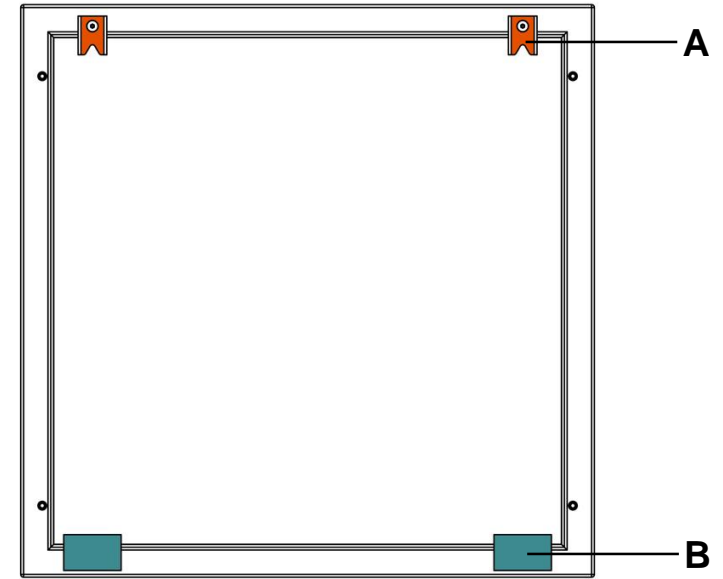
Wall panels fittings

A - drilled (2 pcs. screwed in the upper part of panel)

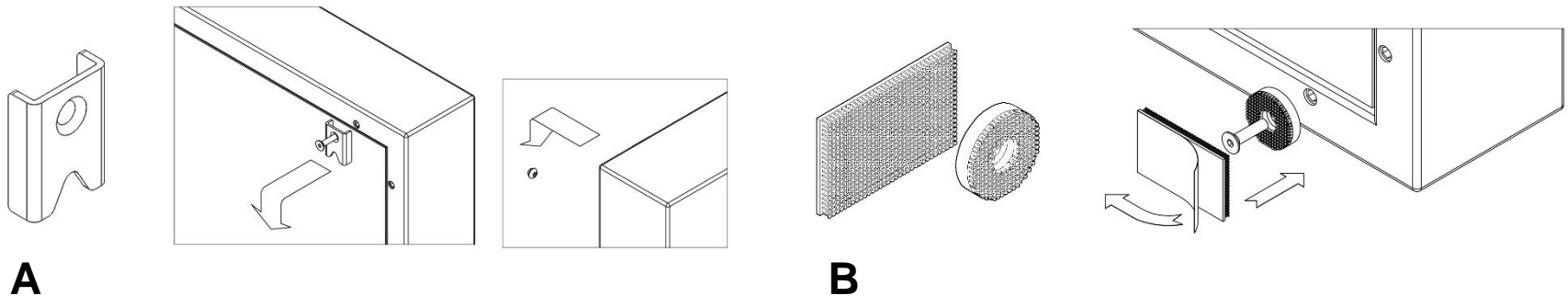
B - adhesive (2 pcs. affixed on the bottom part of panel)



APU047



Fixing scheme

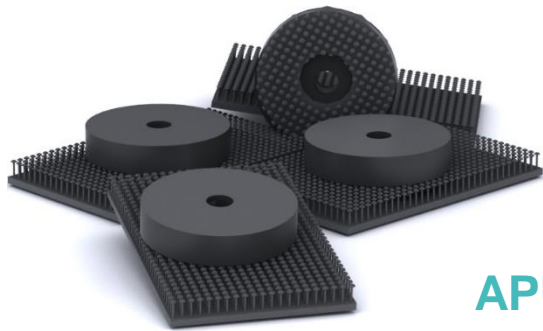


It is recommended to use adhesive (**B**) fittings (4 pcs) in order to mount acoustic panels quicker. Can support a load of **4 kg (1 kg per 1 piece)** using adhesive fittings (APU048).

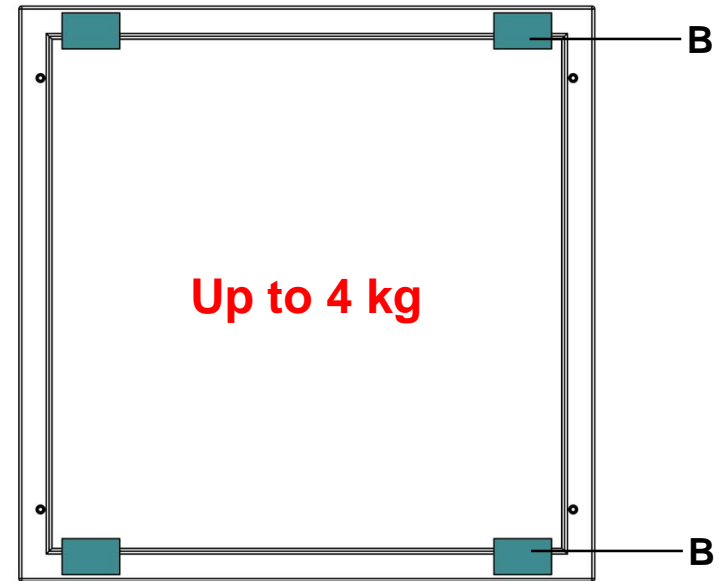
Adhesive (B) fittings are used with the following surfaces:

- metal (steel, stainless steel, aluminum);
- Plexiglas, glass;
- plastic (acrylic, phenol, nylon, polyester, PVC, polycarbonate, ABS);
- suitable for painted wall surfaces only APU040, APU070, APU041, APU071 panels.

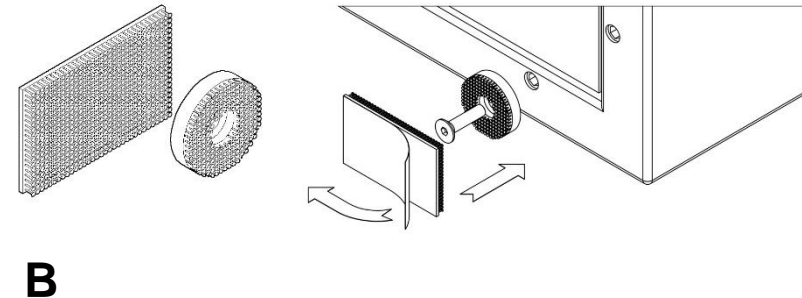
! Not suitable for panel APU075.



APU048



Fixing scheme



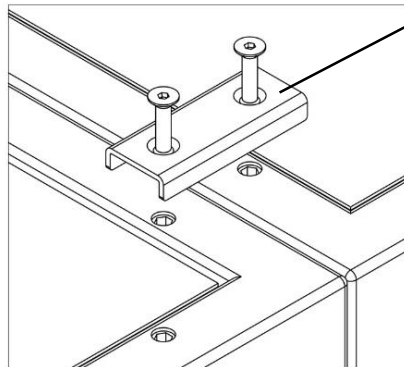
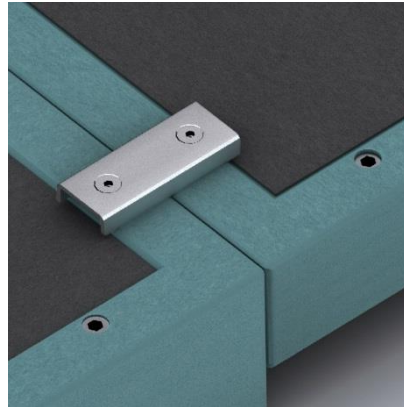
Linking parts

It is recommended to use linking parts to mount panel combinations easier and quicker. Only the panels of the **same side length** (2 pcs.) should be connected.

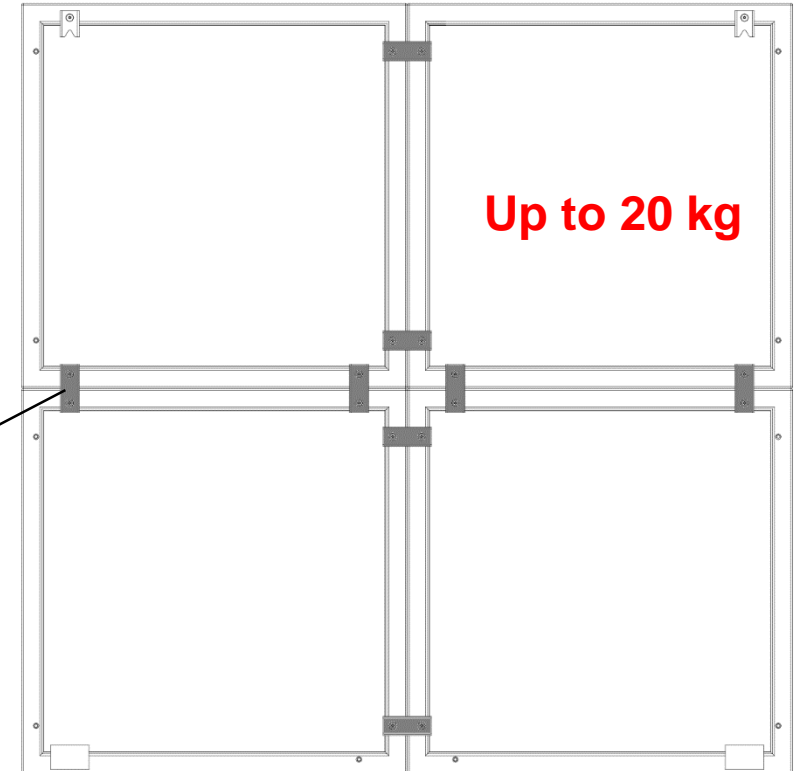


APU049

* Do not use with adhesive fittings B (APU048)

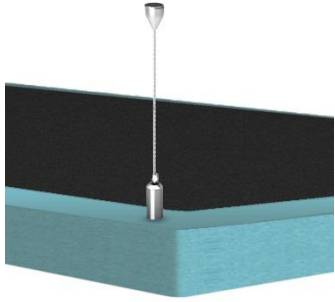


Fixing scheme



Recommended composition of maximum weight up to **20 kg** or **4 panels**.

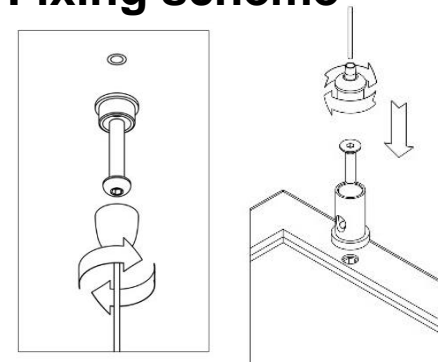
Ceiling panel fittings



Ceiling (horizontal) panels suspension set for masonry/gypsum (4 pcs., adjustable wire rope length 50-1200/3000mm)

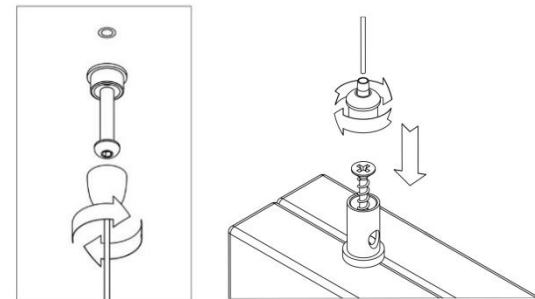
APU050 / APU51

Fixing scheme



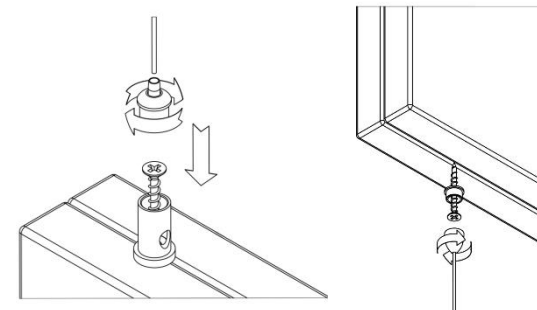
Ceiling (vertical, double-sided) panels suspension set for masonry/gypsum (4 pcs., adjustable wire rope length 50-1200mm). Recommended hanging off more than 4 units APU046 or 2 units APU082.

APU076



Ceiling (vertical, double-sided) panels suspension set for interconnect (4 pcs., adjustable wire rope length 50-1200/3000mm)

APU077 / APU078



Acoustic panels MODUS

Interior

The modular panel system is not just a technical - acoustic sound absorbing equipment, but also interior design detail. Combining panels in different sizes, depths and colors together, creates division and fulfilment of interior spaces.



The possibility to vary the panels:

- sizes;
- heights;
- positions (horizontal, vertical);
- different fabric colors in panel combinations;
- 2 color fabric combinations in vertical panes.

